



Constant Current LED Driver

Model Number AC-12CT500KG4

Input Voltage: 120V

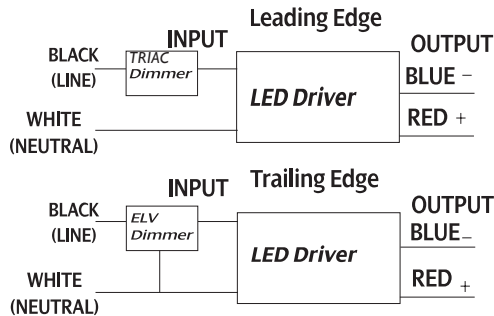
Input Frequency: 50/60Hz

Side Mount/Leads

ELECTRICAL SPECIFICATIONS:

| Output Power | Input Current | Input Power | Min PF (full load) | Max THD (full load) | Output Voltage | Output Current | T case Max | Min Starting Temp | Efficiency Up To | Dimming Protocol | TRIAC Dimming |
|--------------|---------------|-------------|--------------------|---------------------|----------------|----------------|------------|-------------------|------------------|-------------------------|---------------|
| 12W | 0.18A@120V | 15W | >0.90 | <20 | 15-24V | 500mA +/- 10% | 75°C | 0-50°C | 83% | 120Vac Norm with Dimmer | 100 to 1% |

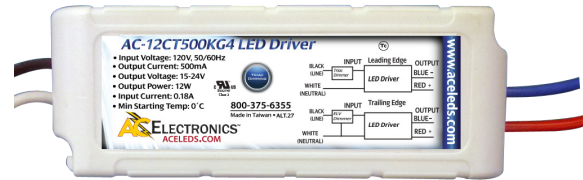
WIRING:



| Lead Lengths | | | |
|--------------|------|------|------|
| Black | 5.9" | Blue | 5.9" |
| White | 5.9" | Red | 5.9" |

Dimmer Compatibility Chart on Back

PHYSICAL:



| Dimensions | |
|--------------|-------|
| Length (L) | 3.86" |
| Width (W) | 1.46" |
| Height (H) | 1.04" |
| Mounting (M) | 3.7" |

SAFETY:

- UL and cUL Recognized, Class 2
- UL Outdoor Type I
- Class A sound rating
- Overload Protection
- Approved Dimmers:
 - Open/Short Circuit Protection
 - LED driver has a life expectancy of 50,000 hours at Tcase of $\leq 75^{\circ}\text{C}$
 - LED driver has a life expectancy of 100,000 hours at Tcase of $\leq 65^{\circ}\text{C}$
- Warranty: 5 yrs based on max case temp of $< 75^{\circ}\text{C}$;
- Input/Output Isolation
- FCC Title 47 CFR Part 15
- Surge Protection (3 KV)

INSTALLATION:

- LED drivers shall be installed inside electrical enclosures
- 18 AWG 600V/105C tinned strand copper lead-wires are required to use in installation
- Max Remote installation distance is 18 ft
- LED driver cases should be grounded



*AC Electronics/AC LED Power Designs warrants to the purchaser that each LED Driver will be free from defects in material or workmanship for a period of 5 years when operated at max case temp of up to $< 75^{\circ}\text{C}$; when properly installed and under normal conditions of use. See aceleds.com for complete warranty policy.

3401 Avenue D, Arlington, TX 76011 • 800-375-6355 • www.aceleds.com

Data is based upon tests performed by AC Electronics in a controlled environment and representative performance. Actual performance can vary depending on operating conditions. Specifications are subject to change without notice. All specifications are nominal unless otherwise noted.



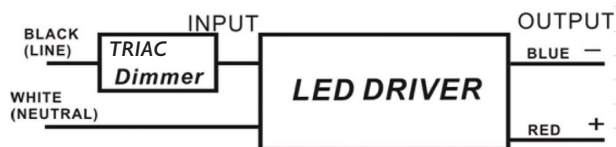


| Dimmer Compatibility | |
|----------------------|--------------|
| Manufacturer | Model Number |
| LEVITON | RPI06 |
| LEVITON | 6633-PLW |
| LEVITON | No. 6684 |
| LEVITON | No. 6613 |
| LEVITON | 6615-POW |
| LEVITON | IPI06-ILZ |
| LEVITON | No. 6674 |
| LUTRON | DV-103P-WH |
| LUTRON | DVPDC-203P |
| LUTRON | S-600P-WH |
| LUTRON | SF-103P-WH |
| LUTRON | NTLV-600 |
| LUTRON | DVCL-153P |

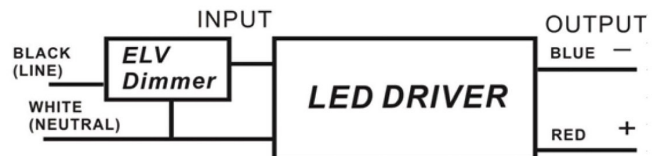
WORKS WITH LEADING EDGE AND TRAILING DIMMERS

WIRING DIAGRAM

Leading Edge Dimmer



Trailing Edge Dimmer



3401 Avenue D, Arlington, TX 76011 • 800-375-6355 • www.aceleds.com

Data is based upon tests performed by AC Electronics in a controlled environment and representative performance. Actual performance can vary depending on operating conditions. Specifications are subject to change without notice. All specifications are nominal unless otherwise noted.