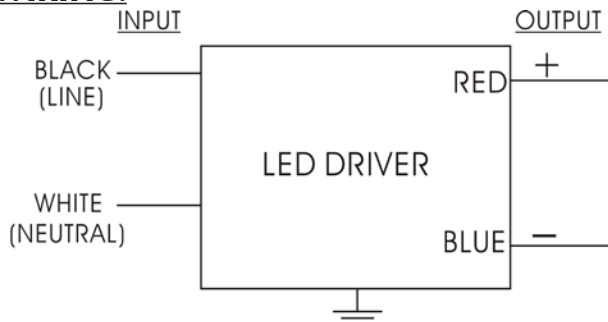


**MULTI-
CURRENT SWITCHING
THERMAL SWITCHING FUNCTION**

ELECTRICAL SPECIFICATIONS:

Output Power Max.	Input Power	Input Current	Minimum PF (full load)	Max. THD (full load)	Output Voltage	Output Current	T case Max.	Minimum Starting Temp.	IP Rating	Efficiency Up To
150W	167W	1.45A @ 120V 0.64A @ 277V	>0.90	<20%	30-50V	3000mA±5%	90° C	-40° C	64	90%
125W	141W	1.18A @ 120V 0.51A @ 277V	>0.90	<20%	30-50V	2500mA±5%	90° C	-40° C	64	89%
100W	114W	0.93A @ 120V 0.4A @ 277V	>0.90	<20%	30-50V	2000mA±5%	90° C	-40° C	64	88%
50W	58W	0.5A @ 120V 0.22A @ 277V	>0.90	<20%	30-50V	1000mA±5%	90° C	-40° C	64	87%

WIRING:



Lead Lengths			
White	5.9"	Blue	5.9"
Black	5.9"	Red	5.9"

PHYSICAL:



Dimensions	
Length	9.5"
Width	2.64"
Height	1.6"
Mounting Length	8.9"

SAFETY & PERFORMANCE:

- UL and cUL Recognized
- UL Outdoor Type I
- Class A sound rating
- No PCBs
- IP64
- Open/Short Circuit Protection
- LED driver has a life expectancy of 50,000 hours at Tcase of ≤75°C
- LED driver has a life expectancy of 100,000 hours at Tcase of ≤65°C
- Warranty: 5 yrs based on max case temp of <75°C; 3 yrs based on max case temp of 90°C*
- Input/Output Isolation
- FCC Title 47 CFR Part 15
- Surge Protection (3 Kv)

INSTALLATION:

- LED drivers shall be installed inside electrical enclosures
- LED driver cases should be grounded
- Max Remote installation distance is 18 ft



*AC Electronics/AC LED Power Designs warrants to the purchaser that each LED Driver will be free from defects in material or workmanship for a period of 5 years when operated at max case temp of up to <75°C; 3 years from date of manufacture when operated at a max case temp of up to 90°C when properly installed and under normal conditions of use. See [aceleds.com](http://www.aceleds.com) for complete warranty policy.

3401 Avenue D, Arlington, TX 76011 • 800-375-6355 • www.aceleds.com

Data is based upon tests performed by AC Electronics in a controlled environment and representative performance. Actual performance can vary depending on operating conditions. Specifications are subject to change without notice. All specifications are nominal unless otherwise noted.

