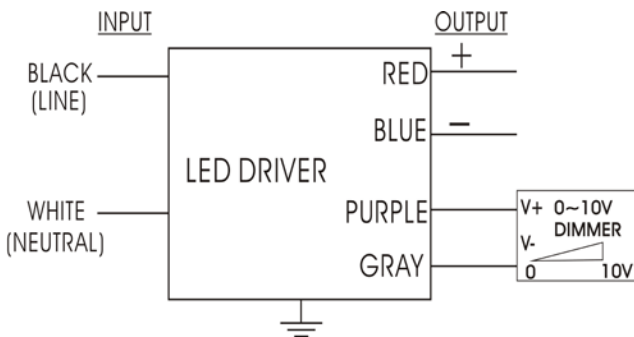




**ELECTRICAL SPECIFICATIONS:**

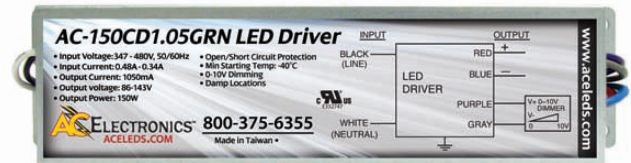
Output Power	Input Current	Input Power	Min PF (full load)	Max THD (full load)	Output Voltage	IP Rating	Output Current	T case Max	Min. Start Temp	Dimming Protocol	Dimming	Efficiency Up To
150W	0.48@347V 0.34@480V	167W	>0.9	<20	86-143	66	1050mA +/- 10%	90°C	-40°C	0 to 10V	10 to 100%	90

**WIRING:**



Lead Lengths					
Black	5.9"	Blue	5.9"	Purple	7.1"
White	5.9"	Red	5.9"	Gray	7.1"

**PHYSICAL:**



Dimensions	
Length	9.5"
Width	2.6"
Height	1.6"
Mounting Length	8.9"

**SAFETY:**

- UL and cUL Recognized
- UL Outdoor Type I
- Class A sound rating
- Overload Protection
- Open/Short Circuit Protection

- LED driver has a life expectancy of 50,000 hours at Tcase of ≤75°C
- LED driver has a life expectancy of 100,000 hours at Tcase of ≤65°C
- Warranty: 5 yrs based on max case temp of <75°C; 3 yrs based on max

- case temp of 90°C\*
- Input/Output Isolation
- FCC Title 47 CFR Part 15
- Surge Protection (6 Kv)

**INSTALLATION:**

- IP 66 Harsh Waterproof
- Max Remote installation distance is 18 ft
- LED driver cases should be grounded

- LED drivers shall be installed inside electrical enclosures
- 18 AWG 600V/105C tinned stranded copper lead-wires are required for installation



\*AC Electronics/AC LED Power Designs warrants to the purchaser that each LED Driver will be free from defects in material or workmanship for a period of 5 years when operated at max case temp of up to <75°C; 3 years from date of manufacture when operated at a max case temp of up to 90°C when properly installed and under normal conditions of use. See [aceleds.com](http://aceleds.com) for complete warranty policy.

3401 Avenue D, Arlington, TX 76011 • 800-375-6355 • [www.aceleds.com](http://www.aceleds.com)

Data is based upon tests performed by AC Electronics in a controlled environment and representative performance. Actual performance can vary depending on operating conditions. Specifications are subject to change without notice. All specifications are nominal unless otherwise noted.

