

**Constant Current LED Driver**

**Model Number**  
**AC-150CD1.4ALH**

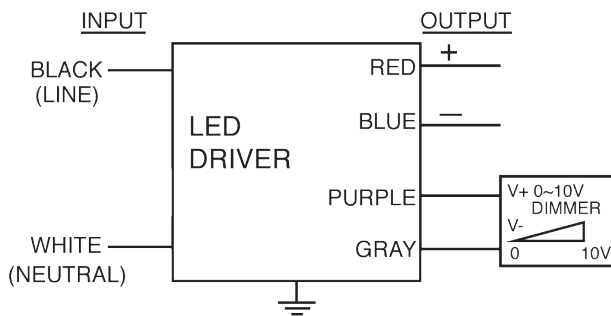
Input Voltage: 120-277V  
Input Frequency: 50/60Hz  
Side Mount/Leads  
**Dim-to-Off**

**DIMMING**

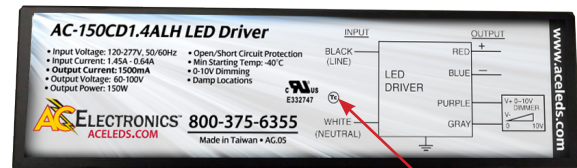
**ELECTRICAL SPECIFICATIONS:**

Output Power Max	Input Power	Input Current	Min. PF (full load)	Max. THD (full load)	Output Voltage	Output Current	T case Max.	Min. Starting Temp.	IP Rating	Efficiency Up To	Dimming Protocol	Dimming Range
150W	170W	1.45A @ 120V 0.64A @ 277V	>0.9	<20%	64-107V	1400mA±5%	90°C	-40°C	65	88%	0 to 10V	0 to 100%

**WIRING:**



**PHYSICAL:**



Hot Spot

**Dimensions**

Length	9.5"
Width	2.6"
Height	1.6"
Mounting Length	8.9"
Weight	xx lbs.
Case Qty.	xx pcs.

**Lead Lengths**

Black	5.9"	Blue	5.9"	Purple	7.1"
White	5.9"	Red	5.9"	Gray	7.1"

**SAFETY & PERFORMANCE:**

- UL and cUL Recognized
- UL Outdoor Type I
- Class A sound rating
- No PCBs
- Open/Short Circuit Protection
- LED driver has a life expectancy of 50,000 hours at Tcase of ≤75°C
- LED driver has a life expectancy of 100,000 hours at Tcase of ≤65°C
- Warranty: 5 yrs based on max case temp of <75°C; 3 yrs based on max case temp of 90°C\*
- Input/Output Isolation
- FCC Title 47 CFR Part 15
- Surge Protection (4 KV)

**INSTALLATION:**

- LED drivers shall be installed inside electrical enclosures
- 18 AWG 600V/105C tinned stranded copper lead-wires are required for installation
- Max Remote installation distance is 18 ft
- LED driver cases should be grounded



\*AC Electronics/AC LED Power Designs warrants to the purchaser that each LED Driver will be free from defects in material or workmanship for a period of 5 years when operated at max case temp of up to <75°C; 3 years from date of manufacture when operated at a max case temp of up to 90°C when properly installed and under normal conditions of use. See [aceleds.com](http://aceleds.com) for complete warranty policy.

3401 Avenue D, Arlington, TX 76011 • 800-375-6355 • [www.aceleds.com](http://www.aceleds.com)

Data is based upon tests performed by AC Electronics in a controlled environment and representative performance. Actual performance can vary depending on operating conditions. Specifications are subject to change without notice. All specifications are nominal unless otherwise noted.

