

Constant Current LED Driver

**Model Number
AC-40CDI.4AQL**

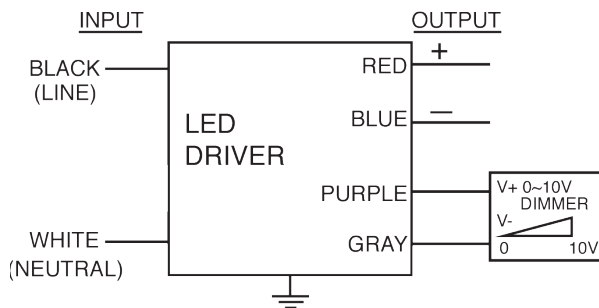
Input Voltage: 120-277V
Input Frequency: 50/60Hz
Side Mount/Leads

DIMMING

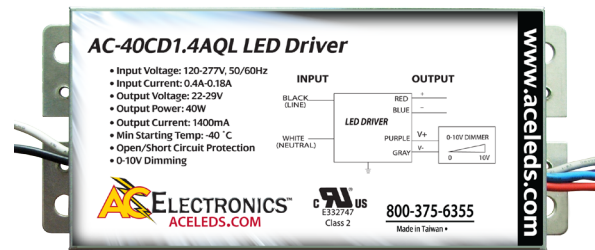
ELECTRICAL SPECIFICATIONS:

| Output Power Max. | Input Power | Input Current | Minimum PF (full load) | Max. THD (full load) | Output Voltage | Output Current | T case Max. | Minimum Starting Temp. | Efficiency Up To | Dimming Protocol | Dimming Range |
|-------------------|-------------|-----------------------------|------------------------|----------------------|----------------|----------------|-------------|------------------------|------------------|------------------|---------------|
| 40W | 47W | 0.4A @ 120V 0.18A @ 277V | >0.95 | <20% | 20-29V | 1400mA±5% | 90° C | -40° C | 85% | 0 to 10V | 10 to 100% |

WIRING:



PHYSICAL:



Lead Lengths

| | | | | | |
|-------|------|------|------|--------|------|
| Black | 5.9" | Blue | 5.9" | Purple | 5.9" |
| White | 5.9" | Red | 5.9" | Gray | 5.9" |

Dimensions

| | | | |
|--------|-------|-----------------|-----------|
| Length | 6.5" | Mounting Length | 5.9" |
| Width | 2.9" | Weight | 0.83 lbs. |
| Height | 1.18" | Case Qty. | 40 pcs. |

SAFETY & PERFORMANCE:

- UL and cUL Recognized
- UL Outdoor Type I
- Class A sound rating
- No PCBs
- IP66
- Open/Short Circuit Protection
- LED driver has a life expectancy of 50,000 hours at Tcase of ≤75°C
- LED driver has a life expectancy of 100,000 hours at Tcase of ≤65°C
- Warranty: 5 yrs based on max case temp of <75°C; 3 yrs based on max case temp of 90°C*
- Input/Output Isolation
- FCC Title 47 CFR Part 15
- Surge Protection (2 KV)

INSTALLATION:

- LED drivers shall be installed inside electrical enclosures
- 18 AWG 600V/105C tinned strand copper lead-wires are required for installation
- Max Remote installation distance is 18 ft
- LED driver cases should be grounded



*AC Electronics/AC LED Power Designs warrants to the purchaser that each LED Driver will be free from defects in material or workmanship for a period of 5 years when operated at max case temp of up to <75°C; 3 years from date of manufacture when operated at a max case temp of up to 90°C when properly installed and under normal conditions of use. See aceleds.com for complete warranty policy.



3401 Avenue D, Arlington, TX 76011 • 800-375-6355 • www.aceleds.com

Data is based upon tests performed by AC Electronics in a controlled environment and representative performance. Actual performance can vary depending on operating conditions. Specifications are subject to change without notice. All specifications are nominal unless otherwise noted.

