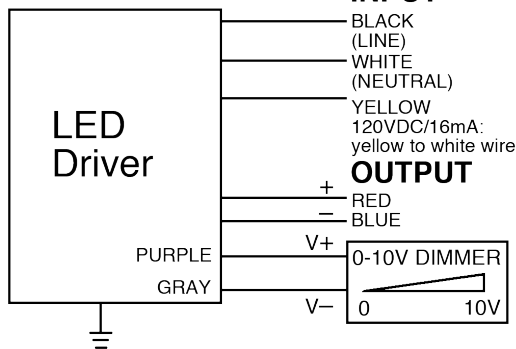




ELECTRICAL SPECIFICATIONS:

| Output Power Max. | Input Power | Input Current | Minimum PF (full load) | Max. THD (full load) | Output Voltage | Output Current | T case Max. | Min Start Temp. | Efficiency Up To | IP Rating | Dimming Protocol | Dimming Range |
|-------------------|-------------|---------------|------------------------|----------------------|----------------|----------------|-------------|-----------------|------------------|-----------|------------------|---------------|
| 46W | 54W @ 347V | 0.16A @ 347V | >0.9 | <20% | 22-27V | 1700mA±5% | 90° C | -40° C | 85% | 64 | 0 to 10V | 10 to 100% |
| 36W | 43W @ 347V | 0.13A @ 347V | >0.9 | <20% | 22-27V | 1350mA±5% | 90° C | -40° C | 84% | 64 | 0 to 10V | 10 to 100% |

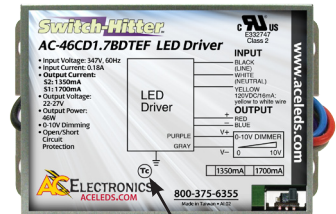
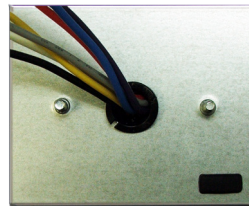
WIRING:



| Lead Lengths | | | | Yellow | 5.9" |
|--------------|------|------|------|--------|------|
| Black | 5.9" | Blue | 5.9" | Purple | 5.9" |
| White | 5.9" | Red | 5.9" | Gray | 5.9" |

PHYSICAL:

Side Mount Option
Model Number:
AC-46CD1.7BDTEF



Hot Spot

Bottom Mount Option
Model Number:
AC46CD1.7BDBTEF

Dimensions

| | | | |
|--------|-------|-----------------|---------|
| Length | 5.43" | Mounting Length | 5.04" |
| Width | 3.58" | Weight | xx lbs. |
| Height | 1.26" | Case Qty. | xx pcs. |

SAFETY & PERFORMANCE:

- UL and cUL
- UL Outdoor Type I
- Class A sound rating
- No PCBs
- IP64
- Open/Short Circuit Protection
- LED driver has a life expectancy of 50,000 hours at Tcase of ≤75°C
- LED driver has a life expectancy of 100,000 hours at Tcase of ≤65°C
- Warranty: 5 yrs based on max case temp of <75°C; 3 yrs based on max case temp of 90°C*
- Input/Output Isolation
- FCC Title 47 CFR Part 15
- Surge Protection (3 Kv)

INSTALLATION:

- Max Remote installation distance is 18 ft
- LED driver cases should be grounded
- LED drivers shall be installed inside electrical enclosures
- 18 AWG 600V/105C tinned stranded copper lead-wires are required for installation



*AC Electronics/AC LED Power Designs warrants to the purchaser that each LED Driver will be free from defects in material or workmanship for a period of 5 years when operated at max case temp of up to <75°C; 3 years from date of manufacture when operated at a max case temp of up to 90°C when properly installed and under normal conditions of use. See aceleds.com for complete warranty policy.

3401 Avenue D, Arlington, TX 76011 • 800-375-6355 • www.aceleds.com

Data is based upon tests performed by AC Electronics in a controlled environment and representative performance. Actual performance can vary depending on operating conditions. Specifications are subject to change without notice. All specifications are nominal unless otherwise noted.

