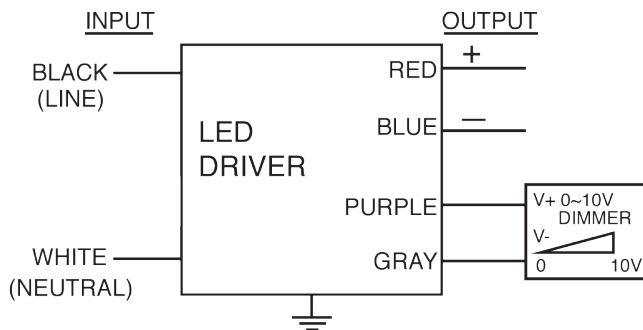




**ELECTRICAL SPECIFICATIONS:**

| Output Power Max | Input Power              | Input Current               | Minimum PF (full load) | Max. THD (full load) | Output Voltage | Output Current | T case Max. | Min. Starting Temp. | Efficiency Up To | Dimming Protocol | Dimming Range |
|------------------|--------------------------|-----------------------------|------------------------|----------------------|----------------|----------------|-------------|---------------------|------------------|------------------|---------------|
| 60W              | 72W @ 120V<br>71W @ 277V | 0.6A @ 120V<br>0.26A @ 277V | >0.95                  | <20%                 | 119-171V       | 350mA±5%       | 90°C        | -40°C               | 84%              | 0 to 10V         | 10 to 100%    |

**WIRING:**



| Lead Lengths |      |      |      |        |      |
|--------------|------|------|------|--------|------|
| Black        | 5.9" | Blue | 5.9" | Purple | 5.9" |
| White        | 5.9" | Red  | 5.9" | Gray   | 5.9" |

**PHYSICAL:**



| Dimensions      |           |
|-----------------|-----------|
| Length          | 9.5"      |
| Width           | 1.7"      |
| Height          | 1.14"     |
| Mounting Length | 8.9"      |
| Weight          | 1.33 lbs. |
| Case Qty.       | 30 pcs.   |

**SAFETY & PERFORMANCE:**

- UL and cUL Recognized
- UL Outdoor Type I
- Class A sound rating
- No PCBs
- Overload Protection
- Open/Short Circuit Protection
- LED driver has a life expectancy of 50,000 hours at Tcase of ≤75°C
- LED driver has a life expectancy of 100,000 hours at Tcase of ≤65°C
- Warranty: 5 yrs based on max case temp of <75°C; 3 yrs based on max case temp of 90°C\*
- Input/Output Isolation
- FCC Title 47 CFR Part 15
- Surge Protection (2 KV)

**INSTALLATION:**

- LED drivers shall be installed inside electrical enclosures
- 18 AWG 600V/105C tinned strand copper lead-wires are required for installation
- Max Remote installation distance is 18 ft
- LED driver cases should be grounded



\*AC Electronics/AC LED Power Designs warrants to the purchaser that each LED Driver will be free from defects in material or workmanship for a period of 5 years when operated at max case temp of up to <75°C; 3 years from date of manufacture when operated at a max case temp of up to 90°C when properly installed and under normal conditions of use. See [aceleds.com](http://aceleds.com) for complete warranty policy.



3401 Avenue D, Arlington, TX 76011 • 800-375-6355 • [www.aceleds.com](http://www.aceleds.com)

Data is based upon tests performed by AC Electronics in a controlled environment and representative performance. Actual performance can vary depending on operating conditions. Specifications are subject to change without notice. All specifications are nominal unless otherwise noted.

