

## Constant Current LED Driver

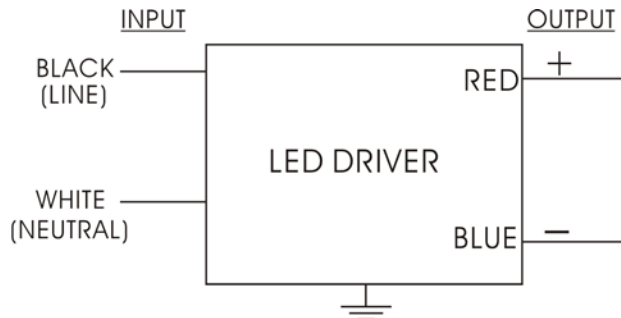
# Model Number AC-62CI.3AHR

Input Voltage: 120-277V  
Input Frequency: 50/60Hz  
Side Mount/Leads

### ELECTRICAL SPECIFICATIONS:

Output Power Max	Input Power	Input Current	Minimum PF (full load)	Max. THD (full load)	Output Voltage	Output Current	T case Max.	Min. Starting Temp.	Efficiency Up To
62W	73W	0.6A @ 120V 0.26A @ 277V	>0.9	<20%	28-48V	1300mA±5%	90° C	-40° C	85%

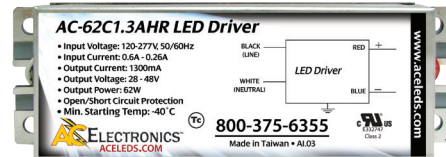
### WIRING:



#### Lead Lengths

Black	10"	Blue	17.9"
White	10"	Red	25"

### PHYSICAL:



#### Dimensions

Length	6.77"
Width	2.4"
Height	1.22"
Mounting	6.22"

### SAFETY & PERFORMANCE:

- UL and cUL certified
- UL1310 Class 2
- Class A sound rating
- No PCBs
- Open/Short Circuit Protection
- LED driver has a life expectancy of 50,000 hours at Tcase of ≤75°C
- LED driver has a life expectancy of 100,000 hours at Tcase of ≤65°C
- Warranty: 5 yrs based on max case temp of <75°C; 3 yrs based on max case temp of 90°C\*
- Input/Output Isolation
- FCC Title 47 CFR Part 15
- Surge Protection (3 KV)

### INSTALLATION:

- LED drivers shall be installed inside electrical enclosures
- 18 AWG 600V/105C tinned strand copper lead-wires are required for installation
- Max Remote installation distance is 18 ft
- LED driver cases should be grounded



\*AC Electronics/AC LED Power Designs warrants to the purchaser that each LED Driver will be free from defects in material or workmanship for a period of 5 years when operated at max case temp of up to <75°C; 3 years from date of manufacture when operated at a max case temp of up to 90°C when properly installed and under normal conditions of use. See [www.aceleds.com](http://www.aceleds.com) for complete warranty policy.



3401 Avenue D, Arlington, TX 76011 • 800-375-6355 • [www.aceleds.com](http://www.aceleds.com)

Data is based upon tests performed by AC Electronics in a controlled environment and representative performance. Actual performance can vary depending on operating conditions. Specifications are subject to change without notice. All specifications are nominal unless otherwise noted.

