

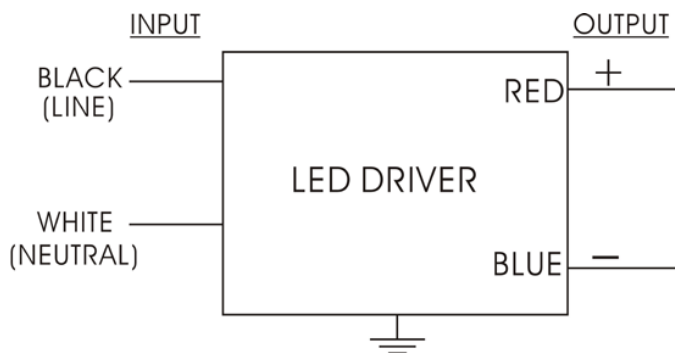
**Model Number  
AC-6C700ARG**

Input Voltage: 120 - 277V  
Input Frequency: 50/60Hz  
Side Mount/Leads

**ELECTRICAL SPECIFICATIONS:**

Output Power Max	Input Power	Input Current	Min PF (full load)	Max THD (full load)	Output Voltage	Output Current	T case Max	Min, Start-ing Temp	Efficiency Up To
6W	8W	0.06@120V 0.03@277V	>0.9	<25	5-9V	700mA +/- 5%	90°	-40	80%

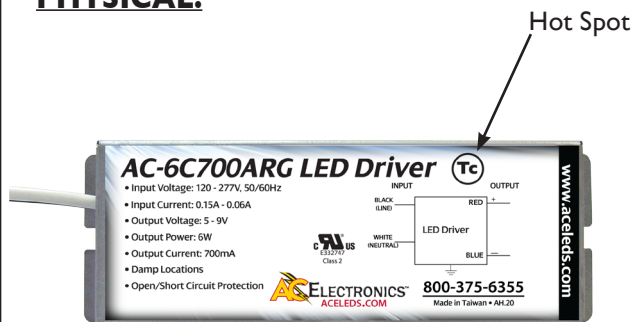
**WIRING:**



**Lead Lengths**

Black	5.9"	Blue	5.9"
White	5.9"	Red	5.9"

**PHYSICAL:**



**Dimensions**

Length	4.21"	Height	1.14"
Width	1.41"	Mounting Length	3.9"

**SAFETY:**

- UL and cUL Recognized
- UL Outdoor Type I
- Class A sound rating
- Overload Protection
- Open/Short Circuit Protection
- LED driver has a life expectancy of 50,000 hours at Tcase of ≤75°C
- LED driver has a life expectancy of 100,000 hours at Tcase of ≤65°C
- Warranty: 5 yrs based on max case temp of <75°C; 3 yrs based on max case temp of 90°C\*
- Input/Output Isolation
- FCC Title 47 CFR Part 15
- Surge Protection (2 KV)

**INSTALLATION:**

- IP 66 Harsh Weatherproof
- Max Remote installation distance is 18 ft
- LED driver cases should be grounded
- LED drivers shall be installed inside electrical enclosures
- 18 AWG 600V/105C tinned stranded copper lead-wires are required for installation



\*AC Electronics/AC LED Power Designs warrants to the purchaser that each LED Driver will be free from defects in material or workmanship for a period of 5 years when operated at max case temp of up to <75°C; 3 years from date of manufacture when operated at a max case temp of up to 90°C when properly installed and under normal conditions of use. See [aceleds.com](http://aceleds.com) for complete warranty policy.



3401 Avenue D, Arlington, TX 76011 • 800-375-6355 • [www.aceleds.com](http://www.aceleds.com)

Data is based upon tests performed by AC Electronics in a controlled environment and representative performance. Actual performance can vary depending on operating conditions. Specifications are subject to change without notice. All specifications are nominal unless otherwise noted.

