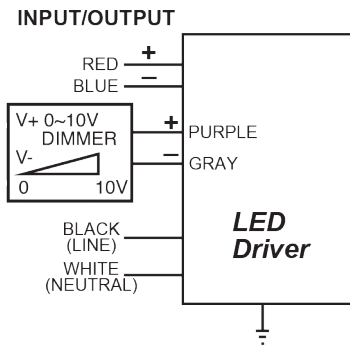


**MULTI-CURRENT SWITCHING AND DIMMING**

**ELECTRICAL SPECIFICATIONS:**

Output Power Max.	Input Power	Input Current	Min PF (full load)	Max. THD (full load)	Output Voltage	Output Current	T case Max.	Min Start-Temp.	Efficiency Up To	IP Rating	Dimming Protocol	Dimming Range
84W	95W	0.79A @ 120V 0.34A @ 277V	>0.95	<20%	29-48V	1750mA±5%	90° C	-40° C	88%	64	0 to 10V	10 to 100%
50W	57W	0.61A @ 120V 0.26A @ 277V	>0.95	<20%	29-48V	1050mA±5%	90° C	-40° C	87%	64	0 to 10V	10 to 100%
45W	52W	0.41A @ 120V 0.18A @ 277V	>0.95	<20%	29-48V	940mA±5%	90° C	-40° C	86%	64	0 to 10V	10 to 100%

**WIRING:**

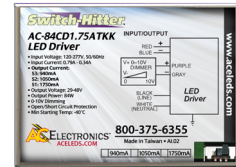


**Lead Lengths**

Black	5.9"	Blue	5.9"	Purple	5.9"
White	5.9"	Red	5.9"	Gray	5.9"

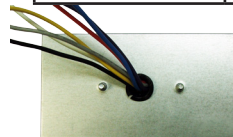
**PHYSICAL:**

Side Mount Option  
Model Number:  
**AC-84CD1.75ATKK**



**Dimensions**

Length	5.43"	Mounting Length	5.04"
Width	3.58"	Weight	xx lbs.
Height	1.57"	Case Qty.	xx pcs.



Bottom Mount Option  
Model Number: **AC84CD1.75ATBKK**

**SAFETY & PERFORMANCE:**

- UL US Class 2
- cUL LVLE
- UL Outdoor Type I
- Class A sound rating
- No PCBs
- IP64
- Open/Short Circuit Protection
- LED driver has a life expectancy of 50,000 hours at Tcase of ≤75°C
- LED driver has a life expectancy of 100,000 hours at Tcase of ≤65°C
- Warranty: 5 yrs based on max case temp of <75°C; 3 yrs based on max case temp of 90°C\*
- Input/Output Isolation
- FCC Title 47 CFR Part 15
- Surge Protection (3 Kv)

**INSTALLATION:**

- Max Remote installation distance is 18 ft
- LED driver cases should be grounded
- LED drivers shall be installed inside electrical enclosures
- 18 AWG 600V/105C tinned stranded copper lead-wires are required for installation



\*AC Electronics/AC LED Power Designs warrants to the purchaser that each LED Driver will be free from defects in material or workmanship for a period of 5 years when operated at max case temp of up to <75°C; 3 years from date of manufacture when operated at a max case temp of up to 90°C when properly installed and under normal conditions of use. See [aceleds.com](http://aceleds.com) for complete warranty policy.

3401 Avenue D, Arlington, TX 76011 • 800-375-6355 • [www.aceleds.com](http://www.aceleds.com)

Data is based upon tests performed by AC Electronics in a controlled environment and representative performance. Actual performance can vary depending on operating conditions. Specifications are subject to change without notice. All specifications are nominal unless otherwise noted.

