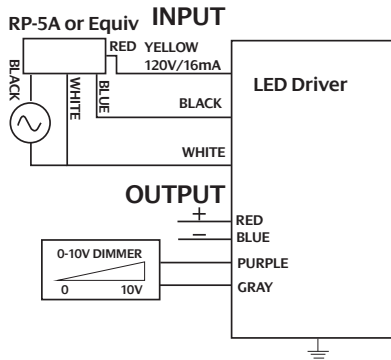
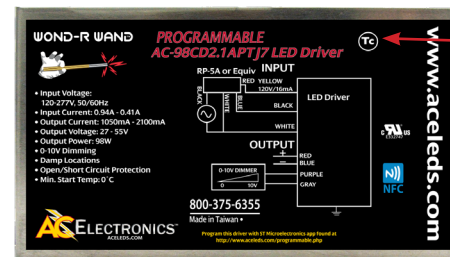


PROGRAMMABLE,
DIGITAL, WIDE-RANGE
AJUSTABLE CURRENT & DIMMING

ELECTRICAL SPECIFICATIONS:

Output Power	Input Power	Input Current	Min PF (full load)	Max THD (full load)	Output Voltage	Output Current	T case Max	Min Starting Temp**	IP Rating	Efficiency Up To	Dimming Protocol	Dimming Range
98W	113W	0.94A@120V 0.41A@277V	>0.90	<20	27-55V	1050mA- 2100mA	90°C	-40°C	64	86%	0 to 10V	10 to 100%

** This driver can operate down to -40°C in a non-dimming condition. Below 0°C some flicker may be observed.

WIRING:

PHYSICAL:


Hot Spot

Lead Lengths

Black	5.9"	Blue	5.9"	Yellow	Purple	7.1"
White	5.9"	Red	5.9"	5.9"	Gray	7.1"

Dimensions Length Width Height Mounting

AC-98CD2.IAPTJ7	6.85"	3.58"	1.73"	6.42"
-----------------	-------	-------	-------	-------

SAFETY:

- Class A sound rating
- LED driver has a life expectancy of 100,000 hours at Tcase of ≤65°C
- Input/Output Isolation
- Overload Protection
- Warranty: 5 yrs based on max case temp of <75°C; 3 yrs based on max case temp of 90°C*
- FCC Title 47 CFR Part 15
- Open/Short Circuit Protection
- LED driver has a life expectancy of 50,000 hours at Tcase of ≤75°C
- Surge Protection (3 KV)

INSTALLATION:

- Max Remote installation distance is 18 ft
- LED drivers shall be installed inside electrical enclosures
- LED driver cases should be grounded
- 18 AWG 600V/105C tinned stranded copper lead-wires are required for installation



*AC Electronics/AC LED Power Designs warrants to the purchaser that each LED Driver will be free from defects in material or workmanship for a period of 5 years when operated at max case temp of up to <75°C; 3 years from date of manufacture when operated at a max case temp of up to 90°C when properly installed and under normal conditions of use. See [aceleds.com](http://www.aceleds.com) for complete warranty policy.

3401 Avenue D, Arlington, TX 76011 • 800-375-6355 • www.aceleds.com

Data is based upon tests performed by AC Electronics in a controlled environment and representative performance. Actual performance can vary depending on operating conditions. Specifications are subject to change without notice. All specifications are nominal unless otherwise noted.



IOOUT/VOUT CURVE

Use with [NFC-V Reader](#) App Available Free at Google App Store

