

DIMMING

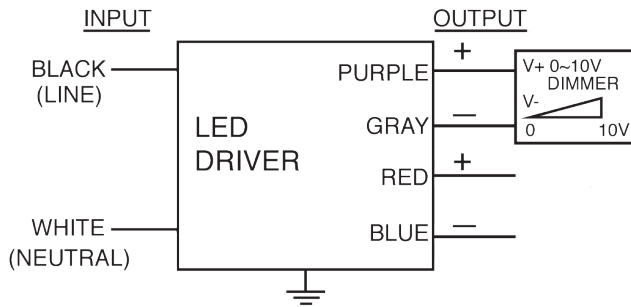
Constant Voltage LED Driver
Model Number
AC-A25VD12H2.08

Input Voltage: 120-277V
 Input Frequency: 50/60Hz
 Side Mount/Leads

ELECTRICAL SPECIFICATIONS:

| Output Power | Input Current | Minimum PF (full load) | Max. THD (full load) | Output Voltage | Output Current | T case Maximum | Minimum Starting Temp. | Efficiency Up To | Dimming Protocol | Dimming Range | IP Rating |
|--------------|------------------------------|------------------------|----------------------|----------------|----------------|----------------|------------------------|------------------|------------------|---------------|-----------|
| 25W | 0.27A @ 120V 0.12A @ 277V | >0.95 | <10% | 12V ±5% | 0.21 to 2.08A | 90° C | -40° C | 80% | 0 to 10V | 8.2 to 100% | IP66 |

WIRING:



| Lead Lengths | | | | | |
|--------------|------|------|------|--------|------|
| Black | 5.9" | Blue | 5.9" | Purple | 9.8" |
| White | 5.9" | Red | 5.9" | Gray | 9.8" |

PHYSICAL:



| Dimensions | |
|------------------------|-----------|
| Length | 9.5" |
| Width | 1.7" |
| Height | 1.14" |
| Mounting Length | 8.9" |
| Mounting Hole Distance | 1.0" |
| Mounting Hole Diameter | .20" |
| Weight | 1.32 lbs. |
| Case Qty. | 30 pcs. |

SAFETY:

- UL and cUL Recognized
- UL1310 Class 2
- UL Outdoor Type I
- Class A sound rating
- Overload Protection
- Open/Short Circuit Protection
- LED driver has a life expectancy of 50,000 hours at Tcase of ≤75°C
- LED driver has a life expectancy of 100,000 hours at Tcase of ≤65°C
- Warranty: 5 yrs based on max case temp of <75°C; 3 yrs based on max case temp of 90°C*
- Input/Output Isolation
- FCC Title 47 CFR Part 15
- Surge Protection (2 KV)

INSTALLATION:

- LED drivers shall be installed inside electrical enclosures
- 18 AWG 600V/105C tinned strand copper lead-wires are required for installation
- Max Remote installation distance is 18 ft
- LED driver cases should be grounded



*AC Electronics/AC LED Power Designs warrants to the purchaser that each LED Driver will be free from defects in material or workmanship for a period of 5 years when operated at max case temp of up to <75°C; 3 years from date of manufacture when operated at a max case temp of up to 90°C when properly installed and under normal conditions of use. See aceleds.com for complete warranty policy.



3401 Avenue D, Arlington, TX 76011 • 800-375-6355 • www.aceleds.com

Data is based upon tests performed by AC Electronics in a controlled environment and representative performance. Actual performance can vary depending on operating conditions. Specifications are subject to change without notice. All specifications are nominal unless otherwise noted.

