

**MULTI-CHANNEL
AND DIMMING**

Constant Current LED Driver

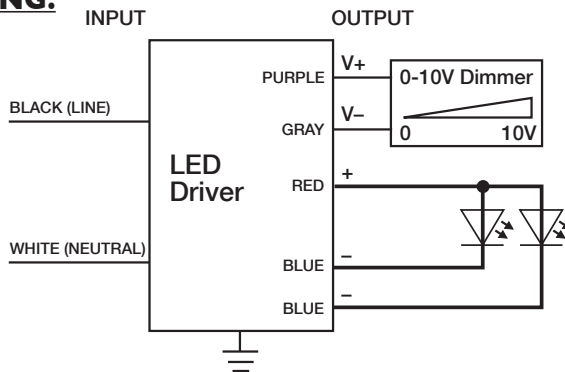
**Model Number
AC-D48CDI.05AGM**

Input Voltage: 120-277V
Input Frequency: 50/60Hz
Side Mount/Leads

ELECTRICAL SPECIFICATIONS:

| Output Power Max | Input Current | Min PF (full load) | Max THD (full load) | Output Voltage | Output Current | T case Max | Min Starting Temp | Efficiency Up To | Input Power | Dimming Protocol | Dimming Range |
|------------------|-------------------------------|--------------------|---------------------|----------------|----------------|------------|-------------------|------------------|-------------|------------------|---------------|
| 48W | 0.96A @ 120V, 0.42A @ 277V | >0.9 | <20% | 27-45V | 1050mA±5% | 90° C | -40° C | 83% | 116W | 0 to 10V | 18 to 100% |

WIRING:



| Lead Lengths | | | | | |
|--------------|------|------|------|--------|------|
| Black | 5.9" | Blue | 5.9" | Purple | 5.9" |
| White | 5.9" | Red | 5.9" | Gray | 5.9" |

PHYSICAL:



| Dimensions | |
|-----------------|---------|
| Length | 9.5" |
| Width | 2.4" |
| Height | 1.46" |
| Mounting Length | 8.9" |
| Weight | xx lbs. |
| Case Qty. | xx pcs. |

SAFETY:

- UL and cUL certified
- Class 2
- Class A sound rating
- Overload Protection
- Open/Short Circuit Protection
- LED driver has a life expectancy of 50,000 hours at Tcase of ≤75°C
- LED driver has a life expectancy of 100,000 hours at Tcase of ≤65°C
- Warranty: 5 yrs based on max case temp of <75°C; 3 yrs based on max case temp of 90°C*
- Input/Output Isolation
- FCC Title 47 CFR Part 15
- Surge Protection (3 Kv)

INSTALLATION:

- LED drivers shall be installed inside electrical enclosures
- 18 AWG 600V/105C tinned strand copper lead-wires are required for installation
- Max Remote installation distance is 18 ft
- LED driver cases should be grounded



*AC Electronics/AC LED Power Designs warrants to the purchaser that each LED Driver will be free from defects in material or workmanship for a period of 5 years when operated at max case temp of up to <75°C; 3 years from date of manufacture when operated at a max case temp of up to 90°C when properly installed and under normal conditions of use. See aceleds.com for complete warranty policy.



3401 Avenue D, Arlington, TX 76011 • 800-375-6355 • www.aceleds.com

Data is based upon tests performed by AC Electronics in a controlled environment and representative performance. Actual performance can vary depending on operating conditions. Specifications are subject to change without notice. All specifications are nominal unless otherwise noted.

