

Constant Current LED Driver

**Model Number
AC-Q25C700UVH**

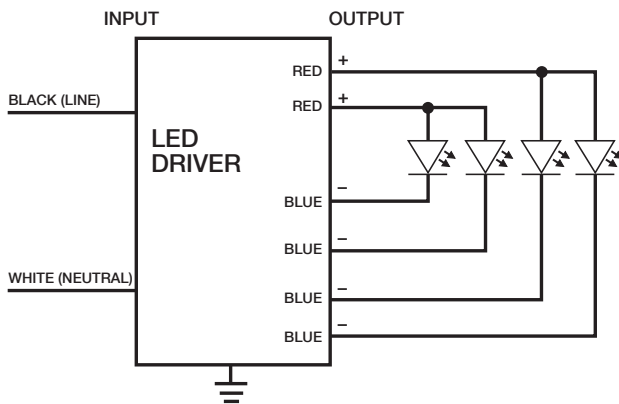
Input Voltage: 120-277V
Input Frequency: 50/60Hz
Side Mount/Leads

4-CHANNEL

ELECTRICAL SPECIFICATIONS:

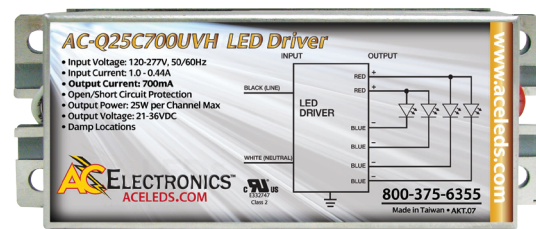
Max. Output Power per Channel	Input Power	Input Current	Minimum PF (full load)	Max. THD (full load)	Output Voltage	Output Current	T case Max.	Minimum Starting Temp.	Efficiency Up To
25W	120W	1A @ 120V 0.44A @ 277V	>0.9	<20%	21-36V	700mA±5%	90° C	-40° C	83%

WIRING:



Lead Lengths			
Black	5.9"	Blue	7.9"
White	5.9"	Red	7.9"

PHYSICAL:



Dimensions	
Length	9.5"
Width	3.75"
Height	1.77"
Mounting Length	8.9"

SAFETY & PERFORMANCE:

- UL and cUL certified
- ULI1310 Class 2
- Class A sound rating
- No PCBs
- Open/Short Circuit Protection
- LED driver has a life expectancy of 50,000 hours at Tcase of ≤75°C
- LED driver has a life expectancy of 100,000 hours at Tcase of ≤65°C
- Warranty: 5 yrs based on max case temp of <75°C; 3 yrs based on max case temp of 90°C*
- Input/Output Isolation
- FCC Title 47 CFR Part 15
- Surge Protection (2 KV)

INSTALLATION:

- IP 66 Harsh Waterproof
- Max Remote installation distance is 18 ft
- LED driver cases should be grounded
- LED drivers shall be installed inside electrical enclosures
- 18 AWG 600V/105C tinned stranded copper lead-wires are required for installation



*AC Electronics/AC LED Power Designs warrants to the purchaser that each LED Driver will be free from defects in material or workmanship for a period of 5 years when operated at max case temp of up to <75°C; 3 years from date of manufacture when operated at a max case temp of up to 90°C when properly installed and under normal conditions of use. See aceleds.com for complete warranty policy.



3401 Avenue D, Arlington, TX 76011 • 800-375-6355 • www.aceleds.com

Data is based upon tests performed by AC Electronics in a controlled environment and representative performance. Actual performance can vary depending on operating conditions. Specifications are subject to change without notice. All specifications are nominal unless otherwise noted.

