

4-CHANNEL  
AND DIMMING

## Constant Current LED Driver

### Model Number **AC-Q37CDI.05AGD**

Input Voltage: 120-277V  
Input Frequency: 50/60Hz  
Side Mount/Leads

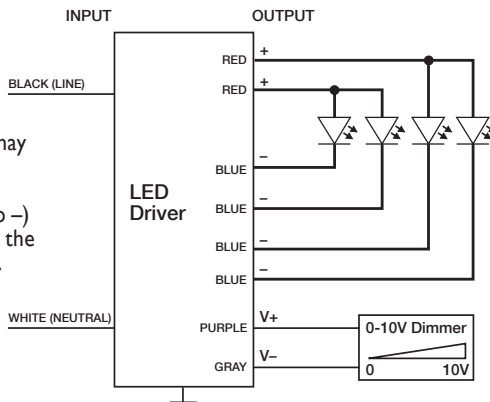
#### ELECTRICAL SPECIFICATIONS:

Output Power Max	Input Current	Min PF (full load)	Max THD (full load)	Output Voltage	Output Current	T case Max	Minimum Starting Temp	Efficiency Up To	Input Power
148W	1.48A @ 120V, 0.65A @ 277V	>0.95	<20%	21-35V	1050mA±5%	90° C	-40° C	83%	178W

#### WIRING:

**Note:**

Two channels may be connected together (+ to + and - to -) so as to double the output current.



#### PHYSICAL:



#### Dimensions

Length	9.5"
Width	3.75"
Height	1.77"
Mounting Length	8.9"

#### Lead Lengths

Black	5.9"	Blue	5.9"	Purple	5.9"
White	5.9"	Red	5.9"	Gray	5.9"

#### SAFETY:

- UL and cUL Recognized
- Class 2
- UL Outdoor Type I
- Class A sound rating
- Overload Protection
- Open/Short Circuit Protection
- LED driver has a life expectancy of 50,000 hours at Tcase of ≤75°C
- LED driver has a life expectancy of 100,000 hours at Tcase of ≤65°C
- Warranty: 5 yrs based on max case temp of <75°C; 3 yrs based on max case temp of 90°C\*
- Input/Output Isolation
- FCC Title 47 CFR Part 15
- Surge Protection (3 Kv)

#### INSTALLATION:

- LED drivers shall be installed inside electrical enclosures
- 18 AWG 600V/105C tinned strand copper lead-wires are required for installation
- Max Remote installation distance is 18 ft
- LED driver cases should be grounded



\*AC Electronics/AC LED Power Designs warrants to the purchaser that each LED Driver will be free from defects in material or workmanship for a period of 5 years when operated at max case temp of up to <75°C; 3 years from date of manufacture when operated at a max case temp of up to 90°C when properly installed and under normal conditions of use. See [aceleds.com](http://aceleds.com) for complete warranty policy.



3401 Avenue D, Arlington, TX 76011 • 800-375-6355 • [www.aceleds.com](http://www.aceleds.com)

Data is based upon tests performed by AC Electronics in a controlled environment and representative performance. Actual performance can vary depending on operating conditions. Specifications are subject to change without notice. All specifications are nominal unless otherwise noted.

