

Constant Current LED Driver

Model Number AC-T30CD700AEI

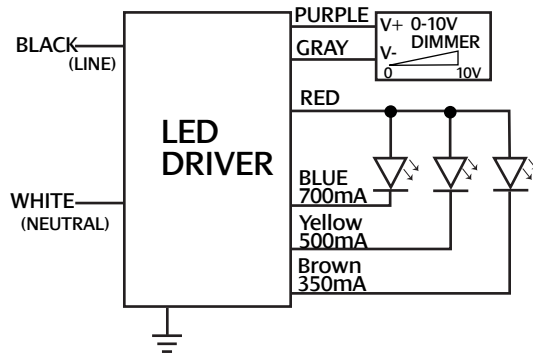
Input Voltage: 120-277V
Input Frequency: 50/60Hz
Side Mount/Leads

**3-CHANNEL
AND DIMMING**

ELECTRICAL SPECIFICATIONS:

Output Power Max.	Input Current	Input Power	Min PF (full load)	Max THD (full load)	Output Voltage	Output Current	T case Max	Min. Starting Temp	Efficiency Up To	Dimming Protocol	Dimming Range
65W	1.9A@120V 0.39A@277V	77W	>0.9	<20	25-42V	700mA 500mA 350mA	90°C	-40°C	85%	0 to 10V	10 to 100%

WIRING:



Lead Lengths

Black	5.9"	Blue	5.9"	Yellow	5.9"	Purple	5.9"
White	5.9"	Red	5.9"	Brown	5.9"	Gray	5.9"

PHYSICAL:



Dimensions

Length	9.5"
Width	2.4"
Height	1.46"
Mounting Length	8.9"

SAFETY:

- UL and cUL certified
- Class 2
- Class A sound rating
- Overload Protection
- Open/Short Circuit Protection
- LED driver has a life expectancy of 50,000 hours at Tcase of $\leq 75^{\circ}\text{C}$
- LED driver has a life expectancy of 100,000 hours at Tcase of $\leq 65^{\circ}\text{C}$
- Warranty: 5 yrs based on max case temp of $< 75^{\circ}\text{C}$; 3 yrs based on max case temp of 90°C^*
- Input/Output Isolation
- FCC Title 47 CFR Part 15
- Surge Protection (3 KV)

INSTALLATION:

- LED drivers shall be installed inside electrical enclosures
- 18 AWG 600V/105C tinned strand copper lead-wires are required for installation
- Max Remote installation distance is 18 ft
- LED driver cases should be grounded



*AC Electronics/AC LED Power Designs warrants to the purchaser that each LED Driver will be free from defects in material or workmanship for a period of 5 years when operated at max case temp of up to $< 75^{\circ}\text{C}$; 3 years from date of manufacture when operated at a max case temp of up to 90°C when properly installed and under normal conditions of use. See aceleds.com for complete warranty policy.



3401 Avenue D, Arlington, TX 76011 • 800-375-6355 • www.aceleds.com

Data is based upon tests performed by AC Electronics in a controlled environment and representative performance. Actual performance can vary depending on operating conditions. Specifications are subject to change without notice. All specifications are nominal unless otherwise noted.

