

Input Voltage: 120-277V

Input Frequency: 50/60Hz

Side Mount/Leads Options

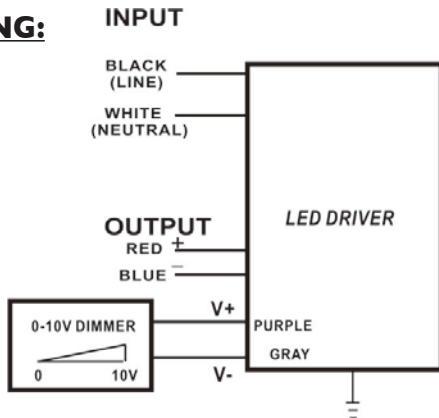
**PROGRAMMABLE,  
DIGITAL, WIDE-RANGE  
AJUSTABLE CURRENT & DIMMING**

### ELECTRICAL SPECIFICATIONS:

Output Power	Input Power	Input Current	Min PF (full load)	Max THD (full load)	Output Voltage	Output Current	T case Max	Min Starting Temp**	IP Rating	Efficiency Up To	Dimming Protocol	Dimming Range
139W	159W	1.45A@120V 0.64A@277V	>0.9	<20	30-49.5V	1400mA-2800mA	90°C	-40°C	64	88%	0 to 10V	5 to 100%

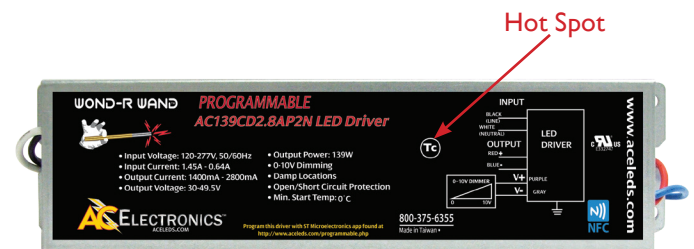
\*\* This driver can operate down to -40°C in a non-dimming condition. Below 0°C some flicker may be observed.

### WIRING:



Lead Lengths					
Black	5.9"	Blue	5.9"	Purple	7.1"
White	5.9"	Red	5.9"	Gray	7.1"

### PHYSICAL:



Dimensions	Length	Width	Height	Mounting
AC139CD2.8AP2N	9.5"	2.6"	1.6"	8.9"

### SAFETY:

- UL and cUL Recognized
- UL Outdoor Type I
- Class A sound rating
- Overload Protection
- Open/Short Circuit Protection
- LED driver has a life expectancy of 50,000 hours at Tcase of ≤75°C
- LED driver has a life expectancy of 100,000 hours at Tcase of ≤65°C
- Warranty: 5 yrs based on max case temp of <75°C; 3 yrs based on max case temp of 90°C\*
- Input/Output Isolation
- FCC Title 47 CFR Part 15
- Surge Protection (6 KV)

### INSTALLATION:

- IP 64
- Max Remote installation distance is 18 ft
- LED driver cases should be grounded
- LED drivers shall be installed inside electrical enclosures
- 18 AWG 600V/105C tinned stranded copper lead-wires are required for installation



\*AC Electronics/AC LED Power Designs warrants to the purchaser that each LED Driver will be free from defects in material or workmanship for a period of 5 years when operated at max case temp of up to <75°C; 3 years from date of manufacture when operated at a max case temp of up to 90°C when properly installed and under normal conditions of use. See [aceleds.com](http://www.aceleds.com) for complete warranty policy.

3401 Avenue D, Arlington, TX 76011 • 800-375-6355 • [www.aceleds.com](http://www.aceleds.com)

Data is based upon tests performed by AC Electronics in a controlled environment and representative performance. Actual performance can vary depending on operating conditions. Specifications are subject to change without notice. All specifications are nominal unless otherwise noted.

