

Constant Current LED Driver

Model Number ACI40CD2.8A6Y

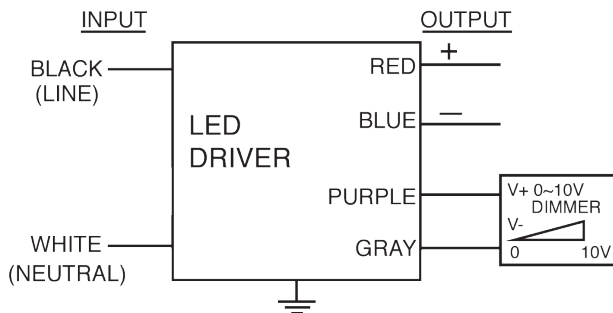
Input Voltage: 120-277V
 Input Frequency: 50/60Hz
 Side Mount/Leads



ELECTRICAL SPECIFICATIONS:

| Output Power Max | Input Power | Input Current | Minimum PF (full load) | Max. THD (full load) | Output Voltage | Output Current | T case Max. | Min. Starting Temp. | Efficiency Up To | IP Rating | Dimming Protocol | Dimming Range |
|------------------|-------------|------------------------------|------------------------|----------------------|----------------|----------------|-------------|---------------------|------------------|-----------|------------------|---------------|
| 140W | 167W | 1.45A @ 120V 0.64A @ 277V | >0.9 | <20% | 30-50V | 2800mA ±5% | 90°C | -40°C | 90% | 65 | 0 to 10V | 10-100% |

WIRING:



PHYSICAL:



Lead Lengths

| | | | | | |
|-------|------|------|------|--------|------|
| Black | 5.9" | Blue | 5.9" | Purple | 7.1" |
| White | 5.9" | Red | 5.9" | Gray | 7.1" |

Dimensions

| | |
|-----------------|-------|
| Length | 9.5" |
| Width | 2.4" |
| Height | 1.57" |
| Mounting Length | 8.9" |

SAFETY & PERFORMANCE:

- UL and cUL Recognized
- UL Outdoor Type I
- Class A sound rating
- No PCBs
- Silicon Potting used
- FCC (EMI and RF protection away from 900-950MHz)
- Over Voltage/Short Circuit/Over Temperature Protection
- LED driver has a life expectancy of 50,000 hours at Tcase of ≤75°C
- LED driver has a life expectancy of 100,000 hours at Tcase of ≤65°C
- Warranty: 5 yrs based on max case temp of <75°C; 3 yrs based on max case temp of 90°C*
- Input/Output Isolation
- Surge Protection (3KV)

INSTALLATION:

- LED drivers shall be installed inside electrical enclosures
- 18 AWG 600V/I05C tinned strand copper lead-wires are required for installation
- Remote installation distance is 18 ft at full load
- LED driver cases should be grounded



*AC Electronics/AC LED Power Designs warrants to the purchaser that each LED Driver will be free from defects in material or workmanship for a period of 5 years when operated at max case temp of up to <75°C; 3 years from date of manufacture when operated at a max case temp of up to 90°C when properly installed and under normal conditions of use. See aceleds.com for complete warranty policy.

3401 Avenue D, Arlington, TX 76011 • 800-375-6355 • www.aceleds.com

Data is based upon tests performed by AC Electronics in a controlled environment and representative performance. Actual performance can vary depending on operating conditions. Specifications are subject to change without notice. All specifications are nominal unless otherwise noted.

