

Constant Current LED Driver

Model Number AC150CD700AS0

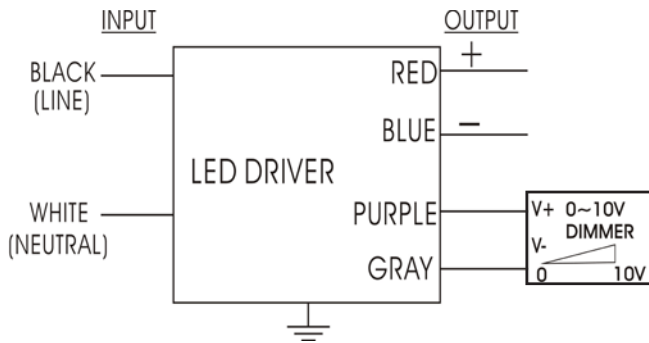
Input Voltage: 120-277V,
Input Frequency: 50/60Hz
Side Mount/Leads
E-cap Rating - 130°C/5000Hr

DIMMING

ELECTRICAL SPECIFICATIONS:

| Output Power Max | Input Power | Input Current | Min PF (full load) | Max THD (full load) | Output Voltage | Output Current | T case Max | Min Starting Temp | IP Rating | Efficiency Up To | Dimming Protocol | Dimming Range |
|------------------|-------------|--------------------------|--------------------|---------------------|----------------|-----------------|------------|-------------------|-----------|------------------|------------------|---------------|
| 150W | 166W | 1.45A@120V 0.64A@277V | >0.9 | <20 | 130-214V | 700mA +/- 5% | 90°C | -40°C | 66 | 90% | 0 to 10V | 10 to 100% |

WIRING:



Lead Lengths

| | | | | | |
|-------|------|------|------|--------|------|
| Black | 5.9" | Blue | 5.9" | Purple | 7.1" |
| White | 5.9" | Red | 5.9" | Gray | 7.1" |

PHYSICAL:



Dimensions

| | | | |
|--------|------|-----------------|-------|
| Length | 9.5" | Height | 1.57" |
| Width | 2.4" | Mounting Length | 8.9" |

SAFETY:

- UL and cUL Recognized
- UL Outdoor Type I
- Class A sound rating
- Overload Protection
- Open/Short Circuit Protection
- LED driver has a life expectancy of 100,000 hours at Tcase of ≤65°C
- Warranty: 5 yrs based on max case temp of <75°C; 3 yrs based on max case temp of 90°C*
- Input/Output Isolation
- FCC Title 47 CFR Part 15
- Surge Protection (6 KV)

INSTALLATION:

- IP 66 Harsh Weatherproof
- Max Remote installation distance is 18 ft
- LED driver cases should be grounded
- LED drivers shall be installed inside electrical enclosures
- 18 AWG 600V/105C tinned stranded copper lead-wires are required for installation



*AC Electronics/AC LED Power Designs warrants to the purchaser that each LED Driver will be free from defects in material or workmanship for a period of 5 years when operated at max case temp of up to <75°C; 3 years from date of manufacture when operated at a max case temp of up to 90°C when properly installed and under normal conditions of use. See aceleds.com for complete warranty policy.



3401 Avenue D, Arlington, TX 76011 • 800-375-6355 • www.aceleds.com

Data is based upon tests performed by AC Electronics in a controlled environment and representative performance. Actual performance can vary depending on operating conditions. Specifications are subject to change without notice. All specifications are nominal unless otherwise noted.

