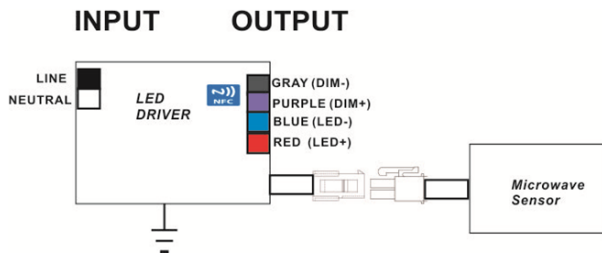


**ELECTRICAL SPECIFICATIONS:**

Output Power Max	Input Power	Input Current	Min PF (full load)	Max THD (full load)	Output Voltage	Output Current	T case Max	IP Rating	Min Starting Temp	Efficiency Up To
40W	47W	0.4A@120V 0.18A@277V	≥0.9	≤20	15-55V	400mA - 1400mA	90°C	64	0°C	85%

**WIRING:**



Lead Lengths					
Black	5.9"	Blue	5.9"	Purple	7.1"
White	5.9"	Red	5.9"	Gray	7.1"

Microwave Sensor	18"	Male	5.9"	Female	12.2"
------------------	-----	------	------	--------	-------

Tref max Value (°C)	Tc/Tref Value (°C)	Ta Value (°C)
90	5.9"	Red

Microwave Occupancy Sensor SPECS on the Back

**PHYSICAL:**



Dimensions			
Length	6.22"	Height	1.22"
Width	1.73"	Mounting Length	5.86"

- Dimming Protocol 0 to 10V
- Dim to Off
- Dimming Range 1 to 100% @ Max Current
- Driver Switches to full brightness when area is occupied.
- Driver Switches to 0-10V dim setting when area is NOT occupied
- Pre-Set Dimming Capable - See Application Notes

**SAFETY:**

- UL and cUL Recognized
- UL Outdoor Type I
- Class A sound rating
- Overload Protection
- Open/Short Circuit Protection
- LED driver has a life expectancy of 50,000 hours at Tcase of ≤75°C
- LED driver has a life expectancy of 100,000 hours at Tcase of ≤65°C
- Warranty: 5 yrs based on max case temp of 75°C; 3 yrs based on max case temp of 90°C\*
- Input/Output Isolation
- FCC Title 47 CFR Part 15
- Surge Protection (3 KV)

**INSTALLATION:**

- Max Remote installation distance is 18 ft
- LED driver cases should be grounded
- LED drivers shall be installed inside electrical enclosures
- 18 AWG 600V/105C tinned stranded copper lead-wires are required for installation



\*AC Electronics/AC LED Power Designs warrants to the purchaser that each LED Driver will be free from defects in material or workmanship for a period of 5 years when operated at max case temp of up to 75°C; 3 years from date of manufacture when operated at a max case temp of up to 90°C when properly installed and under normal conditions of use. See [aceleds.com](http://aceleds.com) for complete warranty policy.

3401 Avenue D, Arlington, TX 76011 • 800-375-6355 • [www.aceleds.com](http://www.aceleds.com)

Data is based upon tests performed by AC Electronics in a controlled environment and representative performance. Actual performance can vary depending on operating conditions. Specifications are subject to change without notice. All specifications are nominal unless otherwise noted.

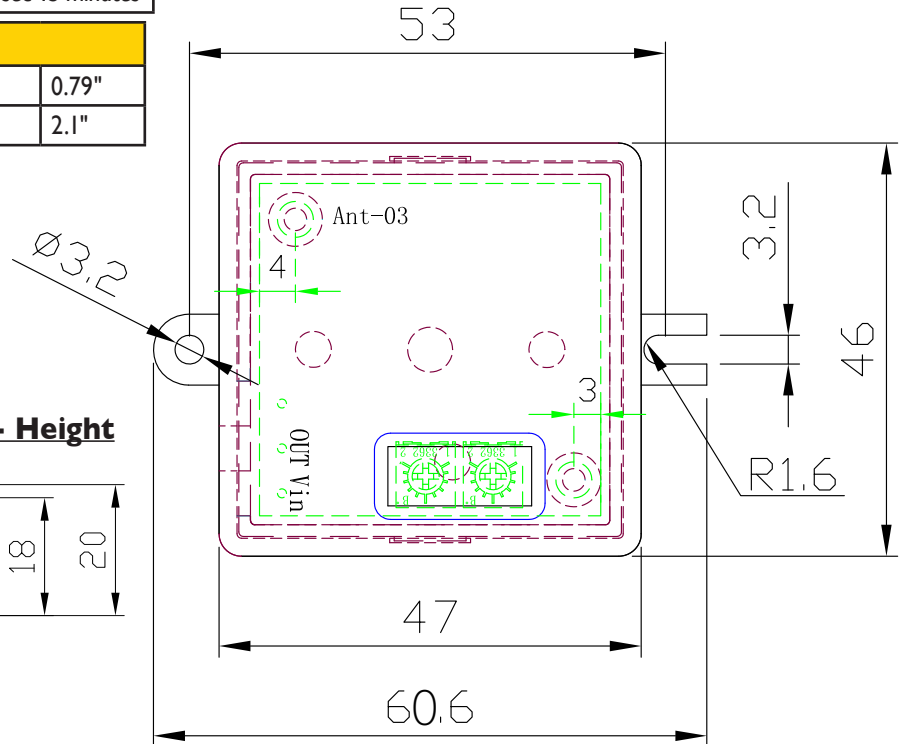


**Microwave Occupancy Sensor Electrical Specifications**

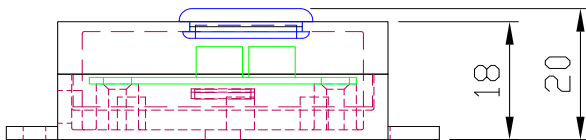
Operating Temperature	Sensitivity	Time Delay
-20~+50°C	6m (Max)	1 sec-15 minutes

Dimensions			
Length	2.38"	Height	0.79"
Width	1.81"	Mounting Length	2.1"

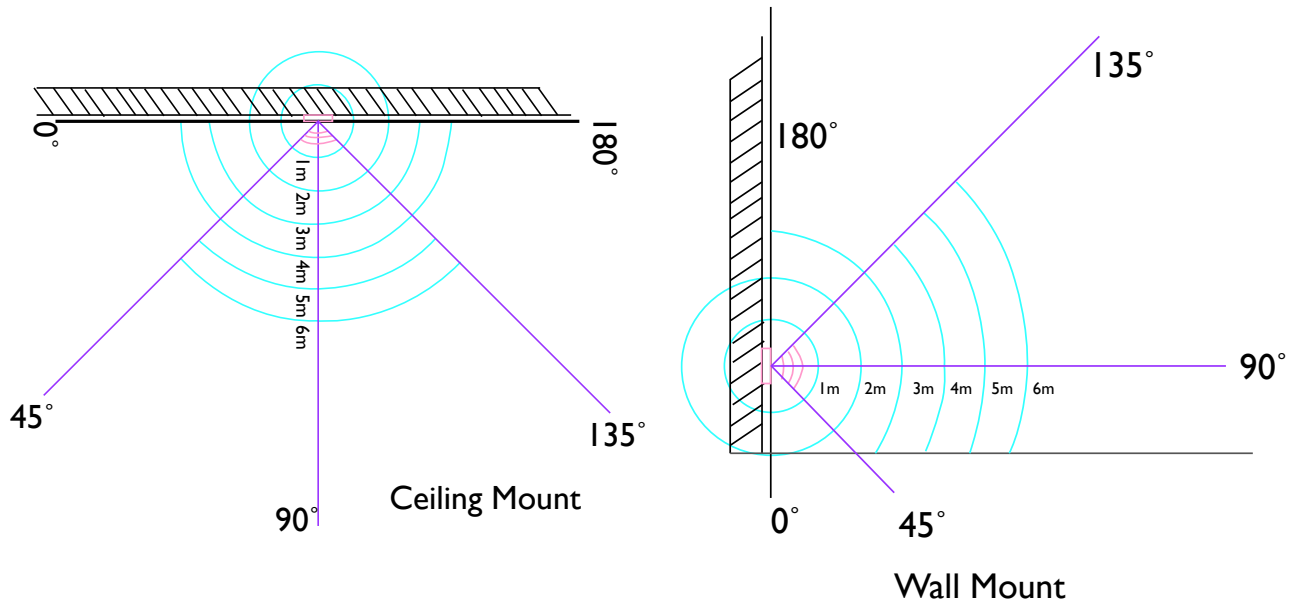
**Enclosure - Microwave Sensor  
Dimensions on diagram in mm**



**Enclosure - Microwave Sensor - Height**



**Sensor Coverage Area**



3401 Avenue D, Arlington, TX 76011 • 800-375-6355 • [www.aceleds.com](http://www.aceleds.com)

Data is based upon tests performed by AC Electronics in a controlled environment and representative performance. Actual performance can vary depending on operating conditions. Specifications are subject to change without notice. All specifications are nominal unless otherwise noted.