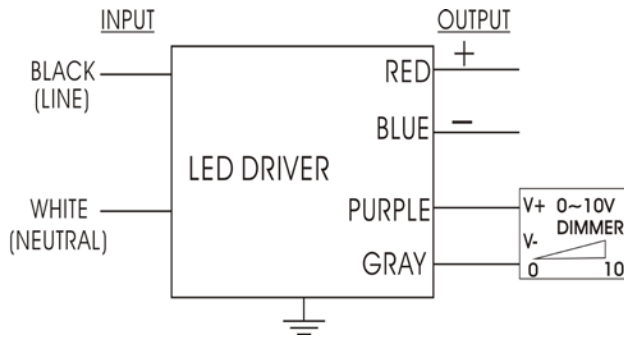


DIMMING

ELECTRICAL SPECIFICATIONS:

Output Power	Input Current	Min PF (full load)	Max THD (full load)	Output Voltage	Output Current	Input Power	T case Max	Min Start Temp	IP Rating	Dimming Protocol	Dimming Range	Efficiency Up To
60W	0.64A@120V 0.26A@277V	>0.95	<15%	24V +/-5%	0.25 to 2.5A	71W	90°C	-40°C	66	0 to 10V	10 to 100%	86.6

WIRING:



Lead Lengths

Black	5.9"	Blue	5.9"	Purple	5.9"
White	5.9"	Red	5.9"	Gray	5.9"

PHYSICAL:



Dimensions

Length	6.77"
Width	2.4"
Height	1.22"
Mounting Length	4.22"

SAFETY:

- UL and cUL Recognized
- UL Outdoor Type I
- Class A sound rating
- Overload Protection
- Open/Short Circuit Protection

- LED driver has a life expectancy of 50,000 hours at Tcase of $\leq 75^{\circ}\text{C}$
- LED driver has a life expectancy of 100,000 hours at Tcase of $\leq 65^{\circ}\text{C}$
- Warranty: 5 yrs based on max case temp of $< 75^{\circ}\text{C}$; 3 yrs based on max

- case temp of 90°C^*
- Input/Output Isolation
- FCC Title 47 CFR Part 15
- Surge Protection (3 Kv)

INSTALLATION:

- IP 66 Harsh Waterproof
- Max Remote installation distance is 18 ft
- LED driver cases should be grounded

- LED drivers shall be installed inside electrical enclosures
- 18 AWG 600V/105C tinned stranded copper lead-wires are required for installation



*AC Electronics/AC LED Power Designs warrants to the purchaser that each LED Driver will be free from defects in material or workmanship for a period of 5 years when operated at max case temp of up to $< 75^{\circ}\text{C}$; 3 years from date of manufacture when operated at a max case temp of up to 90°C when properly installed and under normal conditions of use. See aceleds.com for complete warranty policy.

3401 Avenue D, Arlington, TX 76011 • 800-375-6355 • www.aceleds.com



Data is based upon tests performed by AC Electronics in a controlled environment and representative performance. Actual performance can vary depending on operating conditions. Specifications are subject to change without notice. All specifications are nominal unless otherwise noted.

