

Input Voltage: 120-277V

Input Frequency: 50/60Hz

Side Mount/Leads Options

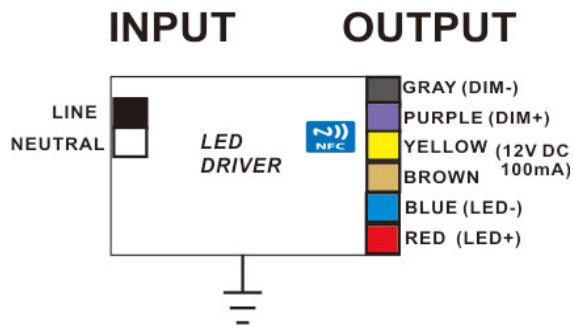
Dim-to-Off at (10%) @ Max Current

PROGRAMMABLE,  
DIGITAL, WIDE-RANGE  
AJUSTABLE CURRENT & DIMMING  
TYPE TL RATED

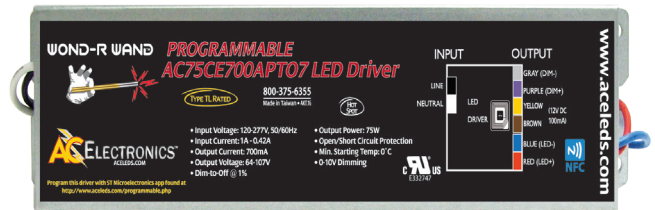
**ELECTRICAL SPECIFICATIONS:**

Output Power	Input Power	Input Current	Min PF (full load)	Max THD (full load)	Output Voltage	Output Current	T case Max	Min Starting Temp	Efficiency Up To	IP Rating	Dimming Protocol	Dimming Range
75W	85W	0.68A@120V 0.3A@277V	>0.90	<20	64-107V	350mA-700mA	90°C	-40°C	88%	64	0 to 10V	10 to 100%

\*\*This driver can operate down to -40 °C in a non-dimming condition. Below 0 °C some flicker may be observed.

**WIRING:**

**Lead Lengths**

Black	5.9"	Blue	5.9"	Purple	7.1"	Yellow	5.9"
White	5.9"	Red	5.9"	Gray	7.1"	Brown	5.9"

**PHYSICAL:**


Dimensions	Length	Width	Height	Mounting
AC75CE700APT07	9.5"	2.4"	1.46"	8.9"

Tref Max Value (°C)	Tc/Tref Value (°C)	Ta/Value (°C)
90	55.4	50

**SAFETY:**

- Class A sound rating
- Overload Protection
- Open/Short Circuit Protection
- LED driver has a life expectancy of 50,000 hours at Tcase of ≤75°C
- LED driver has a life expectancy of 100,000 hours at Tcase of ≤65°C
- Warranty: 5 yrs based on max case temp of <75°C; 3 yrs based on max case temp of 90°C\*
- Input/Output Isolation
- FCC Title 47 CFR Part 15
- Surge Protection (4 KV)

**INSTALLATION:**

- Max Remote installation distance is 18 ft
- LED driver cases should be grounded
- LED drivers shall be installed inside electrical enclosures
- 18 AWG 600V/105C tinned stranded copper lead-wires are required for installation



\*AC Electronics/AC LED Power Designs warrants to the purchaser that each LED Driver will be free from defects in material or workmanship for a period of 5 years when operated at max case temp of up to <75°C; 3 years from date of manufacture when operated at a max case temp of up to 90°C when properly installed and under normal conditions of use. See [aceleds.com](http://www.aceleds.com) for complete warranty policy.

3401 Avenue D, Arlington, TX 76011 • 800-375-6355 • [www.aceleds.com](http://www.aceleds.com)

Data is based upon tests performed by AC Electronics in a controlled environment and representative performance. Actual performance can vary depending on operating conditions. Specifications are subject to change without notice. All specifications are nominal unless otherwise noted.

