

Constant Voltage LED Driver

Model Number
ACA60VD24H2.5S

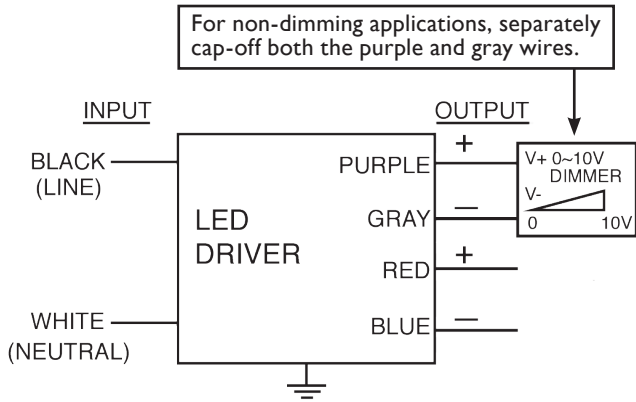
Input Voltage: 120-277V
Input Frequency: 50/60Hz
Side Mount/Leads



ELECTRICAL SPECIFICATIONS:

| Output Power | Input Current | Minimum PF (full load) | Max. THD (full load) | Output Voltage | Output Current | T case Maximum | Minimum Starting Temp. | Efficiency Up To | Dimming Protocol | Dimming Range | IP Rating |
|--------------|-----------------------------|------------------------|----------------------|----------------|----------------|----------------|------------------------|------------------|------------------|---------------|-----------|
| 60W | 0.6A @ 120V 0.26A @ 277V | >0.95 | <10% | 24V ±5% | 0.25 to 2.5A | 90° C | -40° C | 86.6% | 0 to 10V | 10 to 100% | IP66 |

WIRING:



| Lead Lengths | | | | | |
|--------------|------|------|------|--------|------|
| Black | 5.9" | Blue | 5.9" | Purple | 9.8" |
| White | 5.9" | Red | 5.9" | Gray | 9.8" |

PHYSICAL:



| Dimensions | |
|------------------------|-----------|
| Length | 9.5" |
| Width | 1.7" |
| Height | 1.14" |
| Mounting Length | 8.9" |
| Mounting Hole Distance | 1.0" |
| Mounting Hole Diameter | .20" |
| Weight | 1.32 lbs. |
| Case Qty. | 30 pcs. |

SAFETY:

- UL and cUL Recognized
- UL1310 Class 2
- UL Outdoor Type I
- Class A sound rating
- Overload Protection
- Open/Short Circuit Protection
- LED driver has a life expectancy of 50,000 hours at Tcase of ≤75°C
- LED driver has a life expectancy of 100,000 hours at Tcase of ≤65°C
- Warranty: 5 yrs based on max case temp of <75°C; 3 yrs based on max case temp of 90°C*
- Input/Output Isolation
- FCC Title 47 CFR Part 15
- Surge Protection (2 KV)

INSTALLATION:

- LED drivers shall be installed inside electrical enclosures
- 18 AWG 600V/105C tinned strand copper lead-wires are required for installation
- Max Remote installation distance is 18 ft
- LED driver cases should be grounded



*AC Electronics/AC LED Power Designs warrants to the purchaser that each LED Driver will be free from defects in material or workmanship for a period of 5 years when operated at max case temp of up to <75°C; 3 years from date of manufacture when operated at a max case temp of up to 90°C when properly installed and under normal conditions of use. See aceleds.com for complete warranty policy.



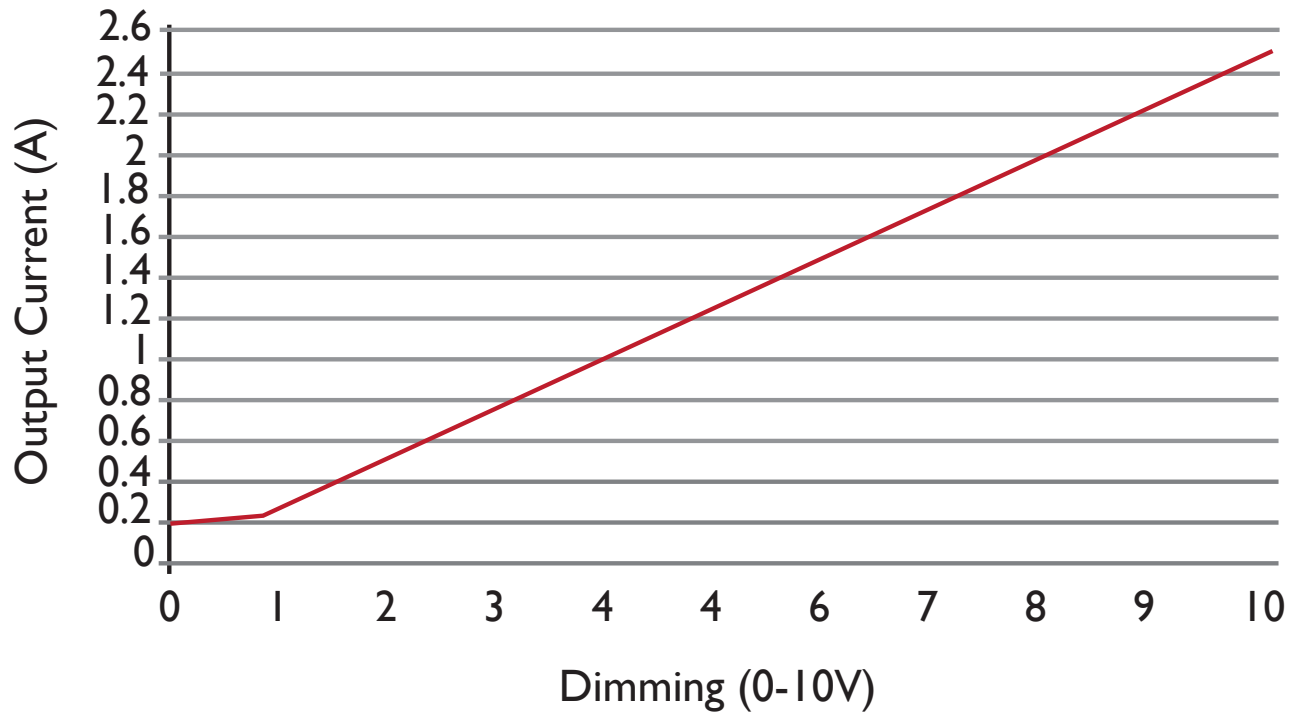
3401 Avenue D, Arlington, TX 76011 • 800-375-6355 • www.aceleds.com

Data is based upon tests performed by AC Electronics in a controlled environment and representative performance. Actual performance can vary depending on operating conditions. Specifications are subject to change without notice. All specifications are nominal unless otherwise noted.



Performance Characteristics

Output Current v.s. Dimming



3401 Avenue D, Arlington, TX 76011 • 800-375-6355 • www.aceleds.com

Data is based upon tests performed by AC Electronics in a controlled environment and representative performance. Actual performance can vary depending on operating conditions. Specifications are subject to change without notice. All specifications are nominal unless otherwise noted.