

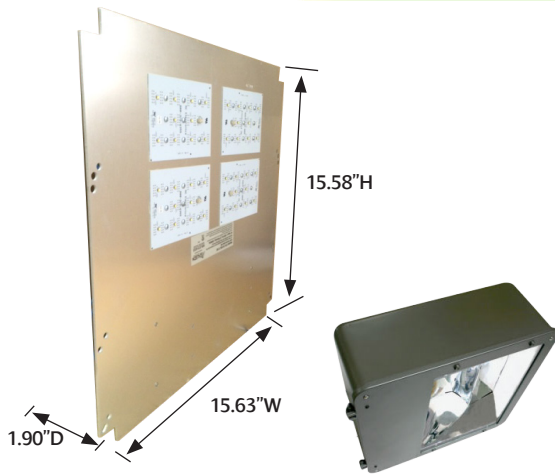


# Minuteman 5™ LED Retrofit Kit For Shoebox Area Light

**"Fits Any Shoebox Housing  
15.78"H x 15.83"W x 2.10"D or Larger"**

**LED Replacement Components for 175 Watt & 250 Watt HID Fixtures**

**Made in USA with Foreign & Domestic Components**



## LED Retrofit Kit Model Number CFL16100/.7/50

**Fits Lighting Housings:  
15.78"H x 15.83"W x 2.10" or Larger"**

### Includes:

- Four-Output Channel, Class 2 LED Driver, Model Number: AC-Q25C700UVH
- Instructions for Installation
- All Required Assembly Hardware
- 4 PCB LED Arrays with 40 Cree XP-G2 LEDs mounted to industrial grade aluminum LED Driver bracket (10 LEDs per array)

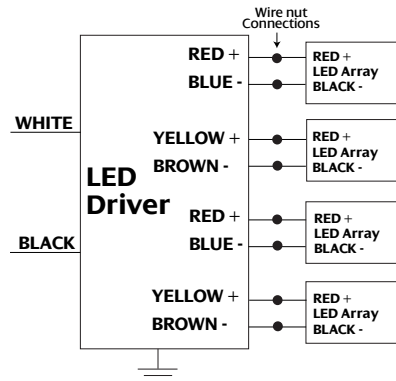
### Specifications

Item	Specification
Input Voltage	120-277V, 50/60 Hz
Fixture CRI	74
Fixture Color Temperature	4890K
Fixture Lumens	7971
Fixture Efficacy	87.5 lumen per watt
Lumen Maintenance	≥85% @ 5 years
Zonal Lumen Performance	0-90°=100% ; 80-90° ≤0.6%
Warranty	5 years*
LED Quantity (Brand: Cree XP-G2)	40
LED TMP Temperature @ 25°C	86.7°C
Input Power	91W
Driver Efficiency	83%
Power Factor @ 277V	0.93
THD @ 277V	6.5%
Driver TMP @ 25°C ambient	66.4°C
Noise	<24dB
EMI	FCC part 15
Max Operating Temperature	45°C Ambient
Min Operation Temperature	-40°C Ambient
LED Retrofit Kit Dimensions /	15.78" H X 15.83" W X 2.10" D

*Note: LM79 and ies files are available upon request.*



### Wiring Diagram



### Warranty

LED Retrofit Kit warranty is only valid when it is used in 15.78"H x 15.83"W x 2.10"D or larger lighting housing it was designed to be used in unless otherwise approved in writing by AC Electronics. Any other use in any other lighting housing or use with non-AC specified or supplied components will void this warranty.

\*AC warrants to the purchaser that this LED Retrofit Kit will be free from defects in material or workmanship for a period of 5 years from date of manufacture, when operated at a maximum ambient temperature of 110°F or 45°C, when properly installed and under normal conditions of use.

The warranty excludes damage resulting from improper installation or damage caused by fire or severe weather conditions including, but not limited to, lightning and storms. Evidence of direct exposure to water on the failed units voids the warranty.

See [www.aceleds.com](http://www.aceleds.com) for complete warranty policy.



### AC Electronics LED Retrofit Kit vs. Standard HID Lights

Wall Pack Light Source	Input Wattage	Lifespan Hrs/Yrs	Energy Use (24hrs/day) Annual	Annual Cost (maintenance + electricity) @ \$0.11/kWh	Electrical Cost Savings
HID	250	24,000/ 2.7	2190 kWh	\$240.90	
LED	91	50,000/ 5.7	797 kWh	\$87.69	64%

*Also*

### Tork® 2107 Photocell — Approved For Use With AC LED Retrofit Kits

- 120/277V 1800 VA Ballast Load
- 1 To 5 FC Turn On Light Level
- 3 To 15 FC Turn Off Light Level
- SPST Switch
- 16 AWG 6 Inch Wire Lead Terminal
- Temperature Rating -40 to 140°F
- 1/2" Conduit Mounting
- Not included, Available from secondary sources

