

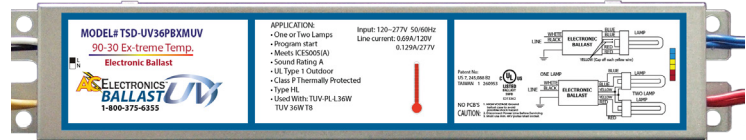


UV Germicidal Program Start Ballast

Lamp Types
TUV-PL-L36W • TUV 36W T8

Ballast Type: Electronic
Starting method: Program Start
Lamp connection: Series
Input voltage: 120-277V
Input frequency: 50/60Hz
Mounting: SIDE Mount
Warranty: 5 Years TC $\leq 75^{\circ}\text{C}$

Model # - TSD-UV36PBXMUV



3 Years $75^{\circ}\text{C} \leq \text{TC} \leq 90^{\circ}\text{C}$

Electrical Specification with Different Lamps

Lamp Type	No. of Lamps	Rated Lamp Watts	Start Temp Min (F/C)	Input Current (Amps)	Input Power (ANSI Watts)	Lamp Current (Amps)	THD Max. (%)	Power Factor	Lamp Current Crest Factor Max.	BEF
TUV PL-L36W	2	36	32/0	0.69	87	0.428	10	0.99	1.7	0.86
TUV PL-L36W	1	36	32/0	0.38	46	0.471	10	0.99	1.7	1.70
TUV 36W T8	2	36	32/0	0.69	87	0.428	10	0.99	1.7	0.86
TUV 36W T8	1	36	32/0	0.38	46	0.471	10	0.99	1.7	1.70
TUV PL-L36W	2	36	32/0	0.35	84	0.425	15	0.98	1.7	0.89
TUV PL-L36W	1	36	32/0	0.20	46	0.471	15	0.97	1.7	1.70
TUV 36W T8	2	36	32/0	0.35	84	0.425	15	0.98	1.7	0.89
TUV 36W T8	1	36	32/0	0.20	46	0.471	15	0.97	1.7	1.70
TUV PL-L36W	2	36	32/0	0.32	84	0.425	15	0.98	1.7	0.89
TUV PL-L36W	1	36	32/0	0.17	46	0.471	20	0.95	1.7	1.70
TUV 36W T8	2	36	32/0	0.32	84	0.425	15	0.98	1.7	0.89
TUV 36W T8	1	36	32/0	0.17	46	0.471	20	0.95	1.7	1.70

INSTALLATION:

- Install in accordance with the National Electrical Code
- Use with 600V rated wire
- Use external ground wire
- Do not connect any lamp lead to neutral
- Mounting side of ballast package must be in complete contact with metallic fixture surface for proper

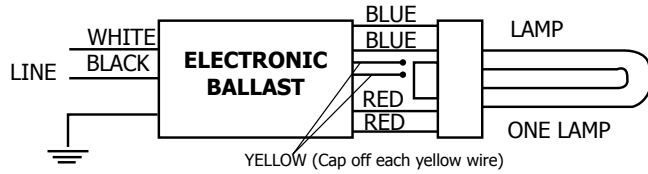
3401 Avenue D, Arlington, TX 76011 • 800-375-6355 • www.aceleds.com

Data is based upon tests performed by AC Electronics in a controlled environment and representative performance. Actual performance can vary depending on operating conditions. Specifications are subject to change without notice. All specifications are nominal unless otherwise noted.

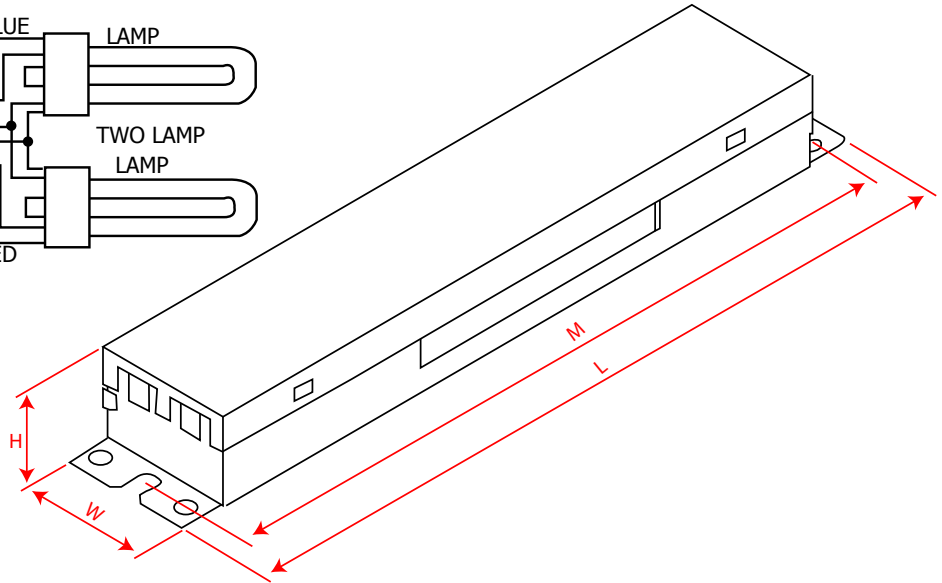
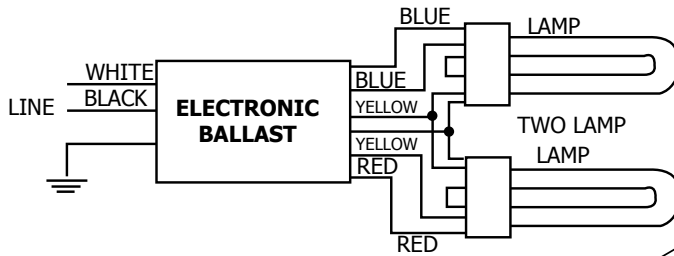


UV Germicidal Program Start Ballast

Lamp Types
TUV-PL-L36W • TUV 36W T8



Model # - TSD-UV36PBXMUV



LEAD LENGTHS	
Black	18.8"
White	18.8"
Blue	30.9"
Red	30.9"
Yellow	46.4"

Dimensions			
Length	9.5"	Height	1.14"
Width	1.7"	Mounting Length	8.9"

SAFETY & Performance:

- One or Two lamps
- Sound Rated Class A
- No PCBs
- UL/cUL Listed
- Class P Thermally Protected
- Type HL
- UL Type I Outdoor
- High Power Factor
- End of Lamp life protection
- Meets ICES005(A)
- Surge Protected
- circuit, shuts down automatically and restarts
- FCC part 18 Class A
- Auto Restart



AC Electronics warrants to the purchaser that each electronic ballast will be free from defects in material or workmanship for a period of 3 years date of manufacture when operated at a max case temp of 90°C; 5 years when operated at a max case temp of <75°C, when properly installed and under normal conditions of use.

3401 Avenue D, Arlington, TX 76011 • 800-375-6355 • www.aceleds.com

Data is based upon tests performed by AC Electronics in a controlled environment and representative performance. Actual performance can vary depending on operating conditions. Specifications are subject to change without notice. All specifications are nominal unless otherwise noted.