

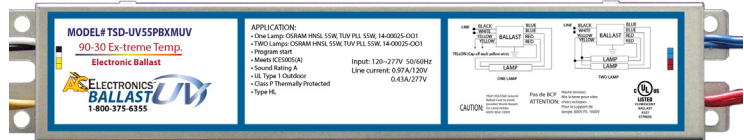


**UV Germicidal Program Start Ballast**

**Lamp Types**  
**OSRAM HNSL 55W • TUV PLL 55W**  
**I4-00025-001**

**Ballast Type:** Electronic  
**Starting method:** Program Start  
**Lamp connection:** Series  
**Input voltage:** 120-277V  
**Input frequency:** 50/60Hz  
**Mounting:** SIDE Mount  
**Warranty:** 5 Years TC ≤75°C

**Model # - TSD-UV55PBXMUV**



**3 Years 75°C ≤ TC ≤ 90°C**

**Electrical Specification with Different Lamps**

Lamp Type	No. of Lamps	Input Voltage	Rated Lamp Watts	Start Temp Min (F/C)	Input Current (Amps)	Input Power (ANSI Watts)	Lamp Current (Amps)	THD Max. (%)	Power Factor	Lamp Current Crest Factor Max.
OSRAM HNSL 55W	2	120	55	32/0	0.97	112	0.54	10	0.99	1.7
		230			0.51			10		
		277			0.43			15		
OSRAM HNSL 55W	1	120	55	32/0	0.54	56	0.56	10	0.98	1.7
		230			0.38			15		
		277			0.22			15		
TUV PLL 55W	2	120	55	32/0	0.97	110	0.54	10	0.99	1.7
		230			0.51			10		
		277			0.43			10		
TUV PLL 55W	1	120	55	32/0	0.54	55	0.56	10	0.98	1.7
		230			0.38			15		
		277			0.22			15		
I4-00025-001	2	120	26	32/0	0.49	58	0.60	10	0.99	1.7
		230			0.26			15		
		277			0.22			15		
I4-00025-001	1	120	26	32/0	0.25	29	0.62	10	0.98	1.7
		230			0.13			15		
		277			0.11			25		

**INSTALLATION:**

- Install in accordance with the National Electrical Code
- Do not connect any lamp lead to neutral
- Use with 600V rated wire
- Mounting side of ballast package must be in complete contact with metallic fixture surface for proper
- Use external ground wire

**3401 Avenue D, Arlington, TX 76011 • 800-375-6355 • www.aceleds.com**

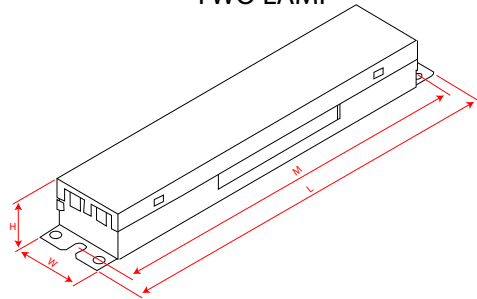
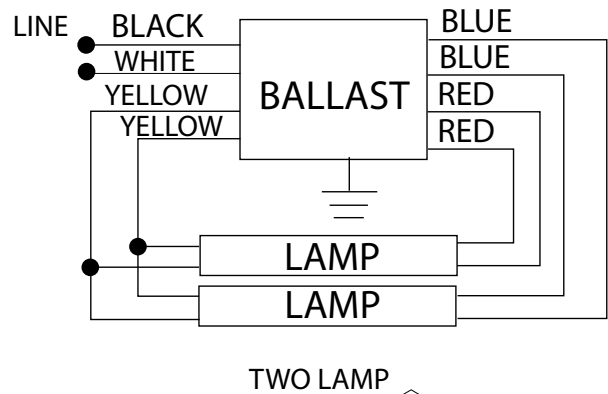
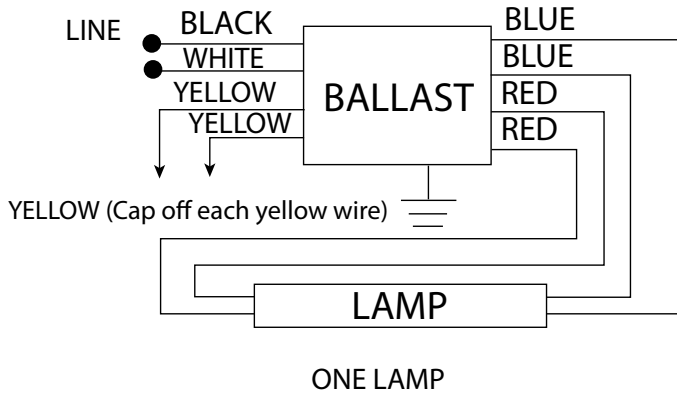
Data is based upon tests performed by AC Electronics in a controlled environment and representative performance. Actual performance can vary depending on operating conditions. Specifications are subject to change without notice. All specifications are nominal unless otherwise noted.



**UV Germicidal Program Start Ballast**

**Lamp Types**  
**OSRAM HNSL 55W • TUV PLL 55W**  
**14-00025-001**

**Model # - TSD-UV55PBXMUV**



LEAD LENGTHS	
Black	18.8"
White	18.8"
Blue	30.9"
Red	30.9"
Yellow	46.4"

Dimensions			
Length	9.5"	Height	1.14"
Width	1.7"	Mounting Length	8.9"

**SAFETY & Performance:**

- One or Two lamps
- UL/cUL Listed
- UL Type I Outdoor
- Meets ICES005(A)
- FCC part 18 Class A
- Sound Rated Class A
- Class P Thermally Protected
- High Power Factor
- Surge Protected
- Auto Restart
- No PCBs
- Type HL
- End of Lamp life protection circuit, shuts down automatically and restarts



AC Electronics warrants to the purchaser that each electronic ballast will be free from defects in material or workmanship for a period of 3 years date of manufacture when operated at a max case temp of 90°C; 5 years when operated at a max case temp of <75°C, when properly installed and under normal conditions of use.

3401 Avenue D, Arlington, TX 76011 • 800-375-6355 • www.aceleds.com

Data is based upon tests performed by AC Electronics in a controlled environment and representative performance. Actual performance can vary depending on operating conditions. Specifications are subject to change without notice. All specifications are nominal unless otherwise noted.