

# AC-50CD1.4APNZD

**Decade**  
LED Driver with 50 Year LED Lifetime Warranty

**AC-50CD1.4APNZD  
LED DRIVER**

- Input Voltage: 120-277 V, 50/60 Hz
- Input Current (mA): 500 mA @ 120 V / 210 mA @ 277 V
- Output Current: 400 to 1400 mA
- Output Voltage: 15-55 V
- Output Power Max: 50 W
- Open/Short Circuit Protection
- Class P Rated Type HL
- TC: 90°C
- 1-10 V Dimming
- Damp Locations
- For connections use wire rated for at least 90°C (194°F)
- Class 2

PROGRAMMABLE

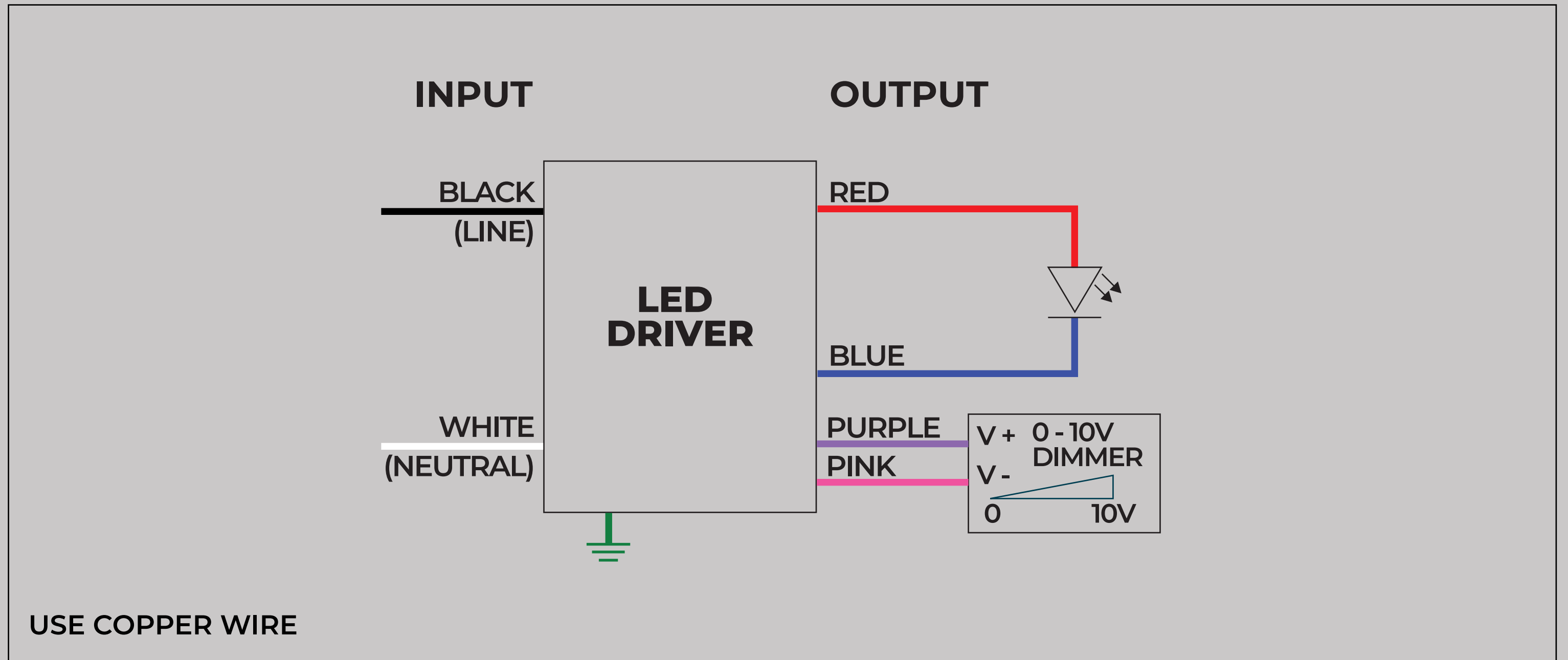
FC

TAA COMPLIANT

ACE LEDS  
800-375-6355

Made in Taiwan - AMHS

## ENGLISH WIRING DIAGRAM



## DIAGRAMA DE CABLEADO ESPAÑOL

