

AC-50CD1.4APPD



AC-50CD1.4APPD LED DRIVER

- Input Voltage: 120-277 V, 50/60 Hz
- Input Current (mA): 500 mA @ 120 V / 2100 mA @ 277 V
- Output Current: 400 to 1400 mA
- Output Voltage: 15-55 V
- Output Power Max: 50 W
- Open/Short Circuit Protection
- Class P Rated Type HL
- TC ≤ 90°C
- 1-10 V Dimming
- Damp Locations
- Class 2
- For connections use wire rated for at least 90°C (194°F)

PROGRAMMABLE



800-375-6355

Made in Taiwan - AN24L

ENGLISH WIRING DIAGRAM

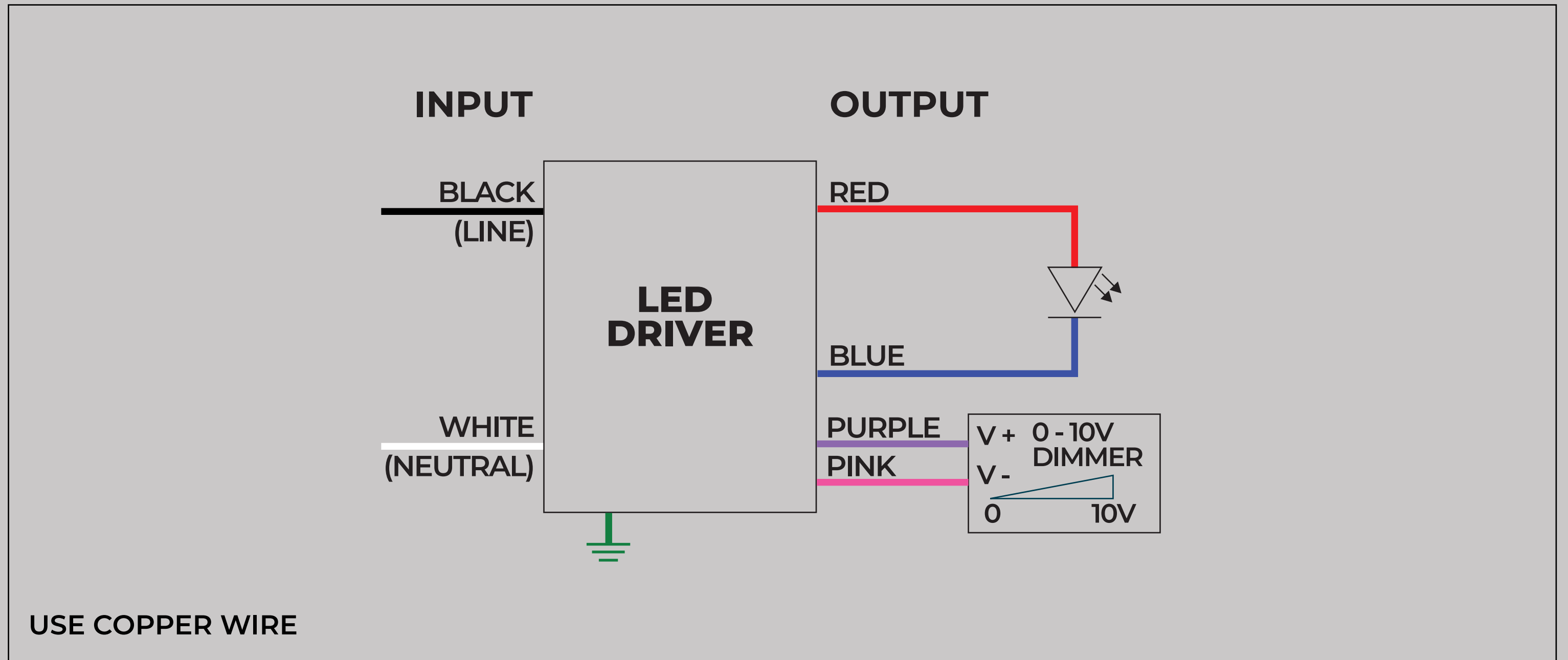


DIAGRAMA DE CABLEADO ESPAÑOL

