

# AC30CD700AP0QD

**Decade**  
LED Driver with 10 Year (10K Hours) Warranty

**AC30CD700AP0QD LED DRIVER**

- Input Voltage: 120-277 V, 50/60 Hz
- Input Current (mA): 300 mA @ 120 V / 130 mA @ 277 V
- Output Current: 125 to 700 mA
- Output Voltage: 14-42 V
- Output Power Max: 30 W
- Open/Short Circuit Protection
- Class P Rated Type HL
- TC  $\leq 90^{\circ}\text{C}$
- 1-10 V Dimming
- Min. Start Temp:  $0^{\circ}\text{C}$
- Damp Locations
- For connections use wire rated for at least  $90^{\circ}\text{C}$  ( $194^{\circ}\text{F}$ )
- Class 2

PROGRAMMABLE

FC

TAA COMPLIANT

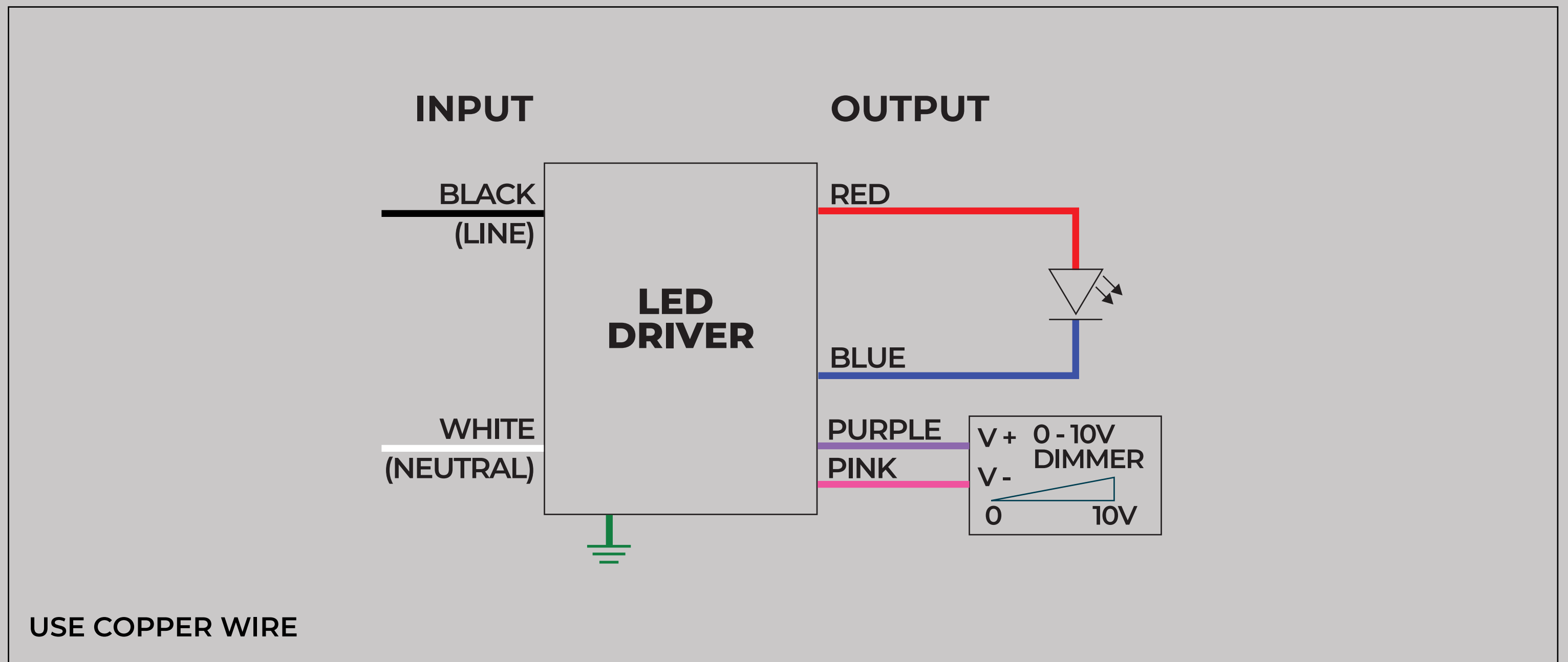
ACE LEDS

800-375-6355

TC

Made in Taiwan - AM49

## ENGLISH WIRING DIAGRAM



## DIAGRAMA DE CABLEADO ESPAÑOL

