

AC85CD2.6AP0LD



AC85CD2.6AP0LD LED DRIVER

- Input Voltage: 120-277 V, 50/60 Hz
- Input Current (mA): 940 mA @ 120 V / 410 mA @ 277 V
- Output Current: 750 to 2600 mA

- Output Voltage: 27-55 V
- Output Power Max: 85 W
- Open/Short Circuit Protection
- Class P Rated Type HL

- TC < 90°C
- 1-10 V Dimming
- Damp Locations
- Class 2
- For connections use wires rated for at least 90°C (194°F)



800-375-6355



PROGRAMMABLE



ENGLISH WIRING DIAGRAM

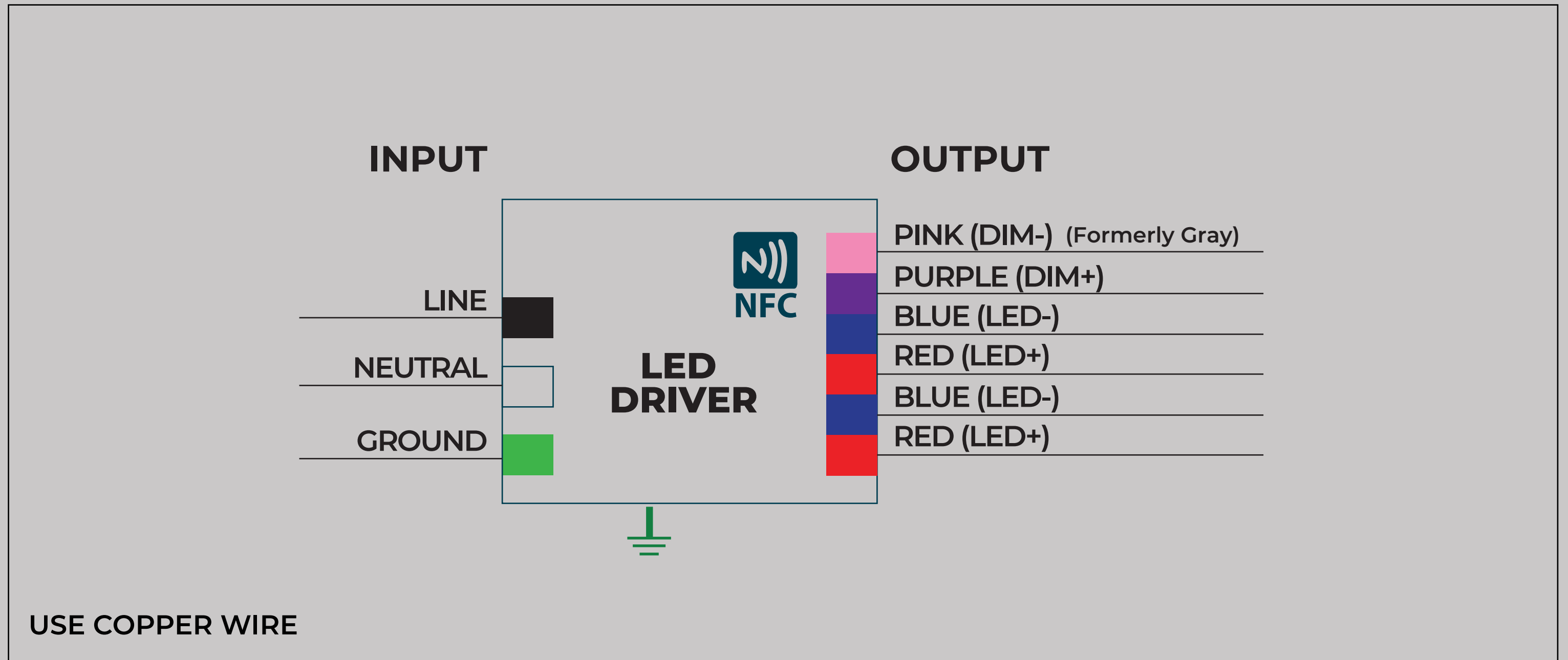


DIAGRAMA DE CABLEADO ESPAÑOL

