

AC98CD2.1AP0VD

Decade™

AC98CD2.1AP0VD
LED DRIVER

- Input Voltage: 120-277 V, 50/60 Hz
- Input Current (mA): 940 mA @ 120 V / 410 mA @ 277 V
- Output Current: 700 to 2100 mA
- Output Voltage: 27-47 V
- Output Power Max.: 98 W
- Open/Short Circuit Protection
- Class P Rated Type HL
- TC: 90°C
- 1-10 V Dimming
- Damp Locations
- For connections use wire rated for at least 90°C (194°F)
- Class 2



800-375-6355

ENGLISH WIRING DIAGRAM

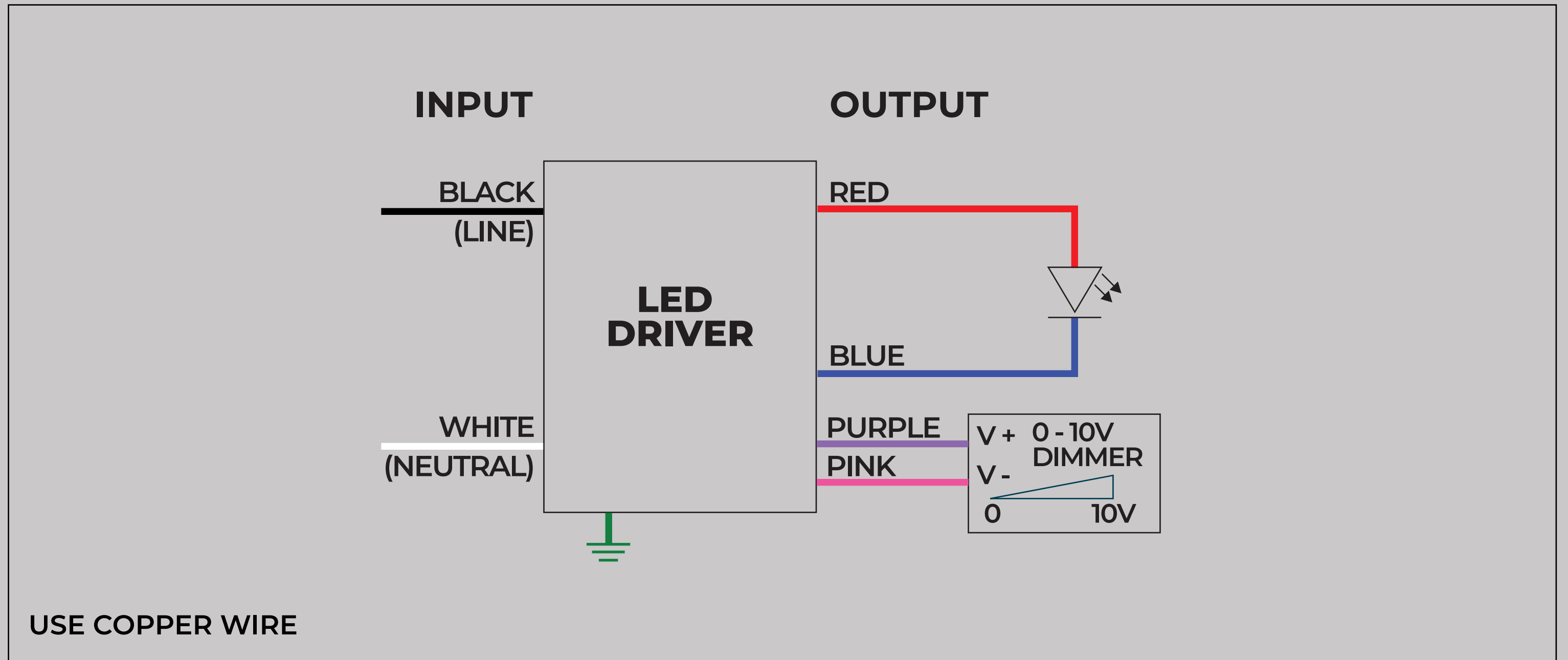


DIAGRAMA DE CABLEADO ESPAÑOL

